

DATA SHEET



PCF8820

**67 × 101 Grey-scale/ECB colour
dot matrix LCD driver**

Product specification
File under Integrated Circuits, IC12

2000 Dec 07

67 × 101 Grey-scale/ECB colour dot matrix LCD driver

PCF8820

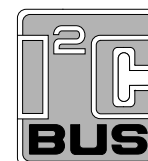
| | | | |
|-----------------|---|--------|---|
| CONTENTS | | | |
| 1 | FEATURES | 7.18 | I ² C-bus interface |
| 2 | APPLICATIONS | 7.18.1 | Bit transfer |
| 3 | GENERAL DESCRIPTION | 7.18.2 | START and STOP conditions |
| 4 | ORDERING INFORMATION | 7.18.3 | System configuration |
| 5 | BLOCK DIAGRAM | 7.18.4 | Acknowledge |
| 6 | PINNING | 7.18.5 | I ² C-bus protocol |
| 6.1 | Pad configuration | 7.18.6 | Command decoder |
| 6.2 | Pad functions | 7.18.7 | Display data byte |
| 6.2.1 | Row driver outputs | 8 | INSTRUCTIONS |
| 6.2.2 | Column driver outputs | 8.1 | Description of the bit functions |
| 6.2.3 | Ground supply | 8.1.1 | Power-down mode |
| 6.2.4 | Supply voltage | 8.1.2 | Partial screen mode |
| 6.2.5 | Voltage multiplier output | 8.1.3 | Y-address of DDRAM |
| 6.2.6 | Voltage multiplier regulation input | 8.1.4 | Bias system |
| 6.2.7 | Supply voltage of bias voltage generator | 8.1.5 | High voltage generator configuration |
| 6.2.8 | LCD intermediate bias voltages | 8.1.6 | Temperature read-out |
| 6.2.9 | Serial data input | 8.1.7 | V _{LCD} control register |
| 6.2.10 | Serial data output | 8.1.8 | Grey-scale register and grey-scale level |
| 6.2.11 | Serial clock input | 8.1.9 | Direct drive mode |
| 6.2.12 | Slave address inputs | 8.1.10 | Frame frequency calibration |
| 6.2.13 | Oscillator signal input | 8.2 | Reset and initialization |
| 6.2.14 | External reset input | 9 | LIMITING VALUES |
| 6.2.15 | Test pads | 10 | HANDLING |
| 7 | FUNCTIONAL DESCRIPTION | 11 | DC CHARACTERISTICS |
| 7.1 | Oscillator | 12 | TIMING |
| 7.2 | I ² C-bus interface controller | 13 | APPLICATION INFORMATION |
| 7.3 | Input filters | 13.1 | Programming example for the PCF8820 |
| 7.4 | Display Data RAM (DDRAM) | 13.2 | Examples of effects on the display |
| 7.5 | Timing generator | 13.3 | High voltage generator |
| 7.6 | Address counter | 13.4 | Application for COG |
| 7.7 | Display address counter | 13.5 | Typical system configuration |
| 7.8 | Command decoder | 13.6 | External supply of V _{LCDIN} |
| 7.9 | Column driver outputs | 14 | BONDING PAD INFORMATION |
| 7.10 | Row driver outputs | 15 | DEVICE PROTECTION CIRCUITS |
| 7.11 | Bias voltage generator | 16 | TRAY INFORMATION |
| 7.12 | High voltage generator | 17 | DATA SHEET STATUS |
| 7.13 | Temperature compensation | 18 | DEFINITIONS |
| 7.14 | Temperature sensor | 19 | DISCLAIMERS |
| 7.15 | LCD driver waveforms | 20 | BARE DIE DISCLAIMER |
| 7.16 | DDRAM to display mapping | 21 | PURCHASE OF PHILIPS I ² C COMPONENTS |
| 7.17 | DDRAM addressing | | |

67 × 101 Grey-scale/ECB colour dot matrix LCD driver

PCF8820

1 FEATURES

- Single-chip LCD controller and driver for grey-scale/ Electrically Controlled Birefringence (ECB) colour
- 4 grey levels/colours (2-bit) definable from 64 levels
- 67 row and 101 column outputs
- Display data RAM 67 × 101 × 2-bit with linear RAM addressing
- Partial screen mode with reduced current consumption (8 rows at top or bottom of display)
- On-chip:
 - Generation of LCD supply voltage (V_{LCDOUT}); external supply also possible
 - Configurable voltage multiplier factor of 8, 7, 6, 5, 4, 3 or 2; direct drive also possible
 - Selectable linear temperature compensation of V_{LCDOUT}
 - Generation of intermediate LCD bias voltages
 - Oscillator requires no external components; external clock also possible.
- Temperature read-out
- Fast mode I²C-bus interface (400 kbits/s)
- Frame frequency calibration via software
- Software selectable bias configuration
- Compatible with 4-bit, 8-bit or 16-bit microcontrollers
- Multiplex rates of 1 : 67 or 1 : 8
- Logic supply voltage range from 2.5 to 5.5 V (V_{DD1} to V_{SS1})
- High voltage generator supply voltage range from 2.7 to 5.5 V (V_{DD2} to V_{SS1} and V_{DD3} to V_{SS2})
- Bias voltage generator supply voltage range (V_{LCDIN} to V_{SS1}):
 - From 7 to 14.5 V at a multiplex rate of 1 : 67
 - From 4.5 to 14.5 V in partial screen mode at a multiplex rate of 1 : 8.
- Low power consumption, suitable for battery operated systems
- Slim chip layout, suitable for chip-on-glass applications



- Software selectable top and bottom row swap for adapting driver to different glass-layouts
- CMOS compatible inputs
- Manufactured in silicon gate CMOS process.

2 APPLICATIONS

- Mobile telecommunication systems
- Battery powered equipment
- Point of sale terminals
- Instrumentation
- Automotive information systems.

3 GENERAL DESCRIPTION

The PCF8820 is a low power CMOS LCD row/column driver, designed to drive grey-scale/ ECB colour dot matrix graphic displays at a multiplex rate of 1 : 67. In the partial screen mode, only 8 rows are driven at a multiplex rate of 1 : 8.

This chip provides all the necessary display functions, including on-chip generation of the LCD supply voltage and LCD bias voltages. Consequently, fewer external components are required and the power consumption is low.

The PCF8820 interfaces with most microcontrollers and communicates via a two-line bidirectional bus (I²C-bus). All inputs are CMOS compatible.

Remark: the waveform generation for ECB colour is identical to that used for grey-scale.

4 ORDERING INFORMATION

| TYPE NUMBER | PACKAGE | | |
|-------------|---------|-------------------------|---------|
| | NAME | DESCRIPTION | VERSION |
| PCF8820U | – | chip with bumps in tray | – |

67 × 101 Grey-scale/ECB colour dot matrix
LCD driver

PCF8820

5 BLOCK DIAGRAM

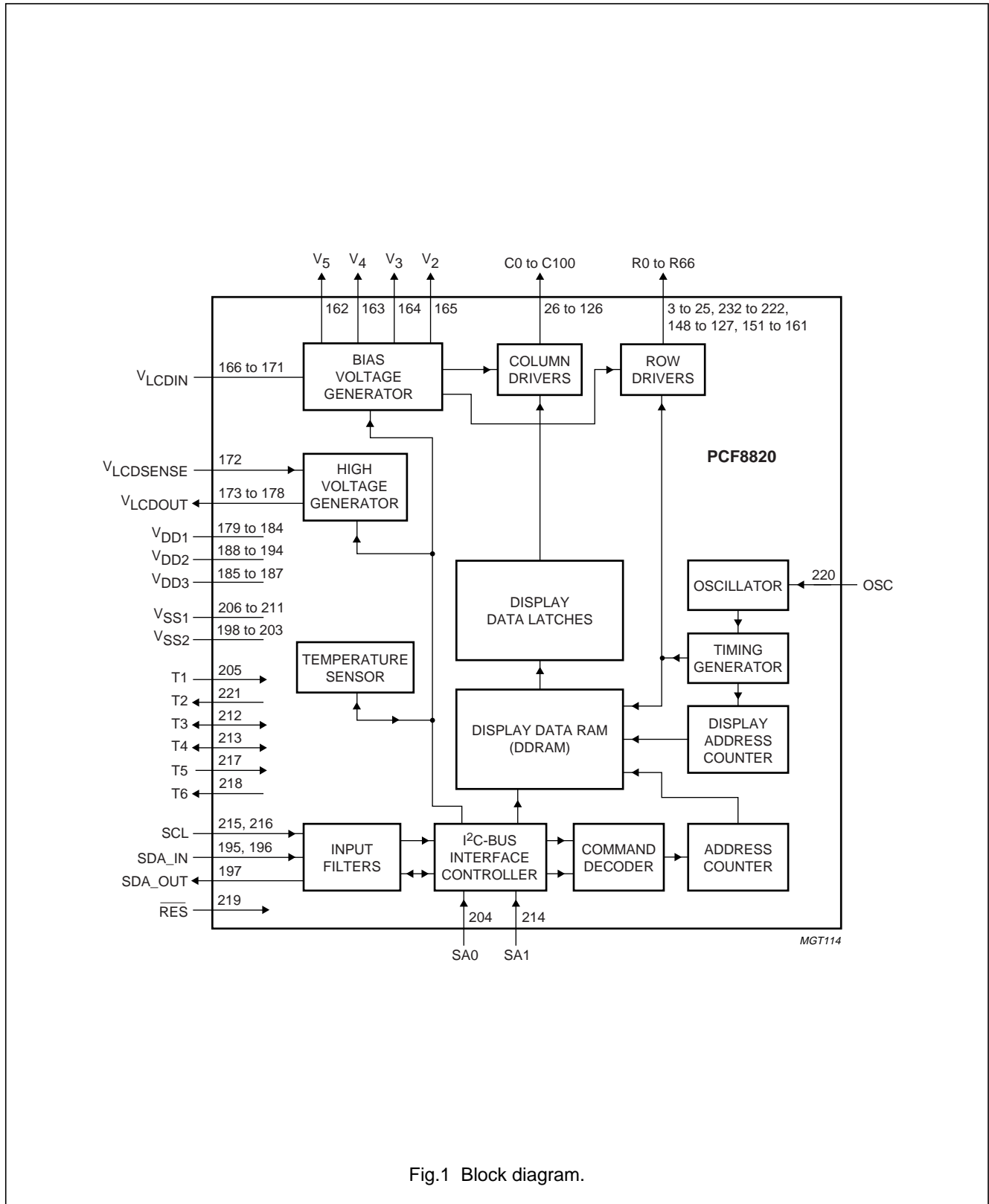


Fig.1 Block diagram.

67 × 101 Grey-scale/ECB colour dot matrix LCD driver

PCF8820

6 PINNING

6.1 Pad configuration

| SYMBOL | PAD | DESCRIPTION |
|-----------------------|-------------|--|
| R0 to R22 | 3 to 25 | LCD row driver outputs (block 1) |
| R23 to R33 | 232 to 222 | LCD row driver outputs (block 2) |
| R34 to R55 | 148 to 127 | LCD row driver outputs (block 3) |
| R56 to R66 | 151 to 161 | LCD row driver outputs (block 4) |
| C0 to C100 | 26 to 126 | LCD column driver outputs |
| V _{SS1} | 206 to 211 | ground supply 1 |
| V _{SS2} | 198 to 203 | ground supply 2 |
| V _{DD1} | 179 to 184 | supply voltage 1 of logic |
| V _{DD2} | 188 to 194 | supply voltage 2 of high voltage generator; temperature read-out |
| V _{DD3} | 185 to 187 | supply voltage 3 of high voltage generator; temperature read-out |
| V _{LCDOUT} | 173 to 178 | voltage multiplier output |
| V _{LCDSENSE} | 172 | voltage multiplier regulation input |
| V _{LCDIN} | 166 to 171 | supply voltage for LCD (bias voltage generator) |
| V ₂ | 165 | LCD intermediate bias voltage 2; for test purposes only |
| V ₃ | 164 | LCD intermediate bias voltage 3; for test purposes only |
| V ₄ | 163 | LCD intermediate bias voltage 4; for test purposes only |
| V ₅ | 162 | LCD intermediate bias voltage 5; for test purposes only |
| SDA_IN | 195 and 196 | serial data input |
| SDA_OUT | 197 | serial data output (acknowledge) |
| SCL | 215 and 216 | serial clock input |
| SA0 | 204 | I ² C-bus slave address input 0 (bit 0) |
| SA1 | 214 | I ² C-bus slave address input 1 (bit 1) |
| OSC | 220 | oscillator signal input |
| RES | 219 | external reset input (active LOW) |
| T1 | 205 | test 1 input |
| T2 | 221 | test 2 output |
| T3 | 212 | test 3 I/O |
| T4 | 213 | test 4 I/O |
| T5 | 217 | test 5 input |
| T6 | 218 | test 6 output |

The pad configuration is shown in Fig.32.

67 × 101 Grey-scale/ECB colour dot matrix LCD driver

PCF8820

6.2 Pad functions

6.2.1 ROW DRIVER OUTPUTS

Row driver outputs (R0 to R66) are the outputs for the LCD row drive signals. They should be connected directly to the 67 rows of the LCD. If less than 67 rows are required, the unused outputs must be left open-circuit.

6.2.2 COLUMN DRIVER OUTPUTS

Column driver outputs (C0 to C100) are the outputs for the LCD column drive signals. They should be connected directly to the 101 columns of the LCD. If less than 101 columns are required, the unused column outputs must be left open-circuit.

6.2.3 GROUND SUPPLY

The ground supply rails (V_{SS1} and V_{SS2}) must be connected together. V_{SS1} is related to V_{DD1} and V_{DD3} ; V_{SS2} is related to V_{DD2} .

6.2.4 SUPPLY VOLTAGE

The supply voltage rails (V_{DD1} , V_{DD2} and V_{DD3}) must be connected together when the same supply is used for both the logic circuits and for the voltage multiplier. When the circuits are fed separately, V_{DD2} and V_{DD3} must be connected to the same supply.

6.2.5 VOLTAGE MULTIPLIER OUTPUT

V_{LCDOUT} is the output of the voltage multiplier of the high voltage generator.

6.2.6 VOLTAGE MULTIPLIER REGULATION INPUT

$V_{LCDSENSE}$ is the regulation input of the high voltage multiplier and must be connected to V_{LCDOUT} .

6.2.7 SUPPLY VOLTAGE OF BIAS VOLTAGE GENERATOR

V_{LCD} is the supply voltage on pad V_{LCDIN} for the bias voltage generator which supplies the LCD outputs. The voltage on pad V_{LCDIN} must not be lower than V_{DD1} .

If V_{LCD} is generated internally, pad V_{LCDOUT} must be connected to pad V_{LCDIN} .

If V_{LCD} is supplied externally, the external supply voltage must be connected to pad V_{LCDIN} . An external supply voltage must be applied after applying V_{DD1} , and it must be removed before or when removing V_{DD1} (see Fig.25). It is recommended that an external supply voltage is applied after leaving the reset state. The external supply voltage can stay applied in the Power-down mode.

When an external supply voltage is used, pads V_{LCDIN} , $V_{LCDSENSE}$ and V_{LCDOUT} do not have to be connected together. However, if pads $V_{LCDSENSE}$ and V_{LCDOUT} are both connected to pad V_{LCDIN} , the current consumption can be reduced under the following conditions:

- The output of V_{LCDOUT} is set to high-impedance (see Table 8)
- The HIGH voltage programming range is selected by setting bit PRS = 1, the maximum voltage multiplier on factor 8 and the V_{LCD} control register on the maximum value (see Table 2).

6.2.8 LCD INTERMEDIATE BIAS VOLTAGES

The LCD intermediate bias voltages (V_2 , V_3 , V_4 and V_5) which are applied to the LCD columns and rows are present on these pads for test purposes. They must be left open-circuit in the application.

6.2.9 SERIAL DATA INPUT

SDA_IN is the serial data input from the I²C-bus.

6.2.10 SERIAL DATA OUTPUT

SDA_OUT is the serial data output (data, acknowledge) for the I²C-bus. Connecting pad SDA_OUT to pad SDA_IN makes the SDA line fully I²C-bus compatible.

Not connecting pad SDA_IN to pad SDA_OUT allows the device to be used in applications in which the acknowledge bit is not required. In Chip-On-Glass (COG) applications, it is sometimes beneficial not to connect pad SDA_OUT to pad SDA_IN. This is because in COG applications where the track resistance from pad SDA_OUT to the system SDA line is significant, a voltage divider is created by the bus pull-up resistor and the Indium Tin Oxide (ITO) track resistance. This divider could prevent the PCF8820 from asserting a valid logic 0 level during an acknowledge cycle.

In COG applications, where the acknowledge cycle is required, the track resistance from the pad SDA_OUT to the system SDA line must be minimized to guarantee a valid LOW-level.

6.2.11 SERIAL CLOCK INPUT

SCL is the serial clock input from the I²C-bus.

67 × 101 Grey-scale/ECB colour dot matrix LCD driver

PCF8820

6.2.12 SLAVE ADDRESS INPUTS

These inputs (SA0 and SA1) allow up to four PCF8820 drivers to be controlled on the same I²C-bus. Inputs SA0 and SA1 represent respectively bit 0 and bit 1 of the slave address.

6.2.13 OSCILLATOR SIGNAL INPUT

Pad OSC must be connected directly to V_{DD1} when the on-chip oscillator is used. No external components are required. It should be noted that any voltage drop of V_{DD1} may affect the performance of the on-chip oscillator.

An external clock must be connected to input OSC.

6.2.14 EXTERNAL RESET INPUT

A LOW-level on input $\overline{\text{RES}}$ initializes the chip.

6.2.15 TEST PADS

The test pads (T1, T2, T3, T4, T5 and T6) must not be accessible to the user.

Pads T1, T3 and T4 must be connected to V_{SS1}, pad T5 must be connected to V_{DD1}, and pads T2 and T6 must be left open-circuit.

7 FUNCTIONAL DESCRIPTION

7.1 Oscillator

The on-chip oscillator provides the clock signal for the LCD system. The clock mode is controlled via the I²C-bus interface. A clock signal must always be present, except in the Power-down mode, to prevent the LCD entering a DC state.

7.2 I²C-bus interface controller

The I²C-bus interface controller receives and executes the commands sent via the I²C-bus. The PCF8820 acts as an I²C-bus slave receiver/transmitter and therefore it cannot control the bus communication.

7.3 Input filters

RC low-pass filters are provided on inputs SDA_IN, SCL and $\overline{\text{RES}}$ to enhance noise immunity in electrically adverse environments.

7.4 Display Data RAM (DDRAM)

The PCF8820 contains a 67 × 101 × 2-bit static RAM, which stores the display data. The RAM comprises 17 banks of 101 bytes (17 × 101 × 8 bits). Not all of the last bank is implemented. During RAM access, data is transferred to the RAM via the I²C-bus interface controller.

7.5 Timing generator

The timing generator produces the various signals required to drive the internal circuitry. Internal chip operation is not affected by operations on the I²C-bus.

7.6 Address counter

The address counter generates write addresses to the DDRAM. During a write operation, display data is stored at the addressed locations.

7.7 Display address counter

The display address counter generates read addresses to the DDRAM. During a read operation, display data is read out to the LCD.

7.8 Command decoder

The command decoder receives command words which are followed by data byte(s) from the I²C-bus. The command decoder identifies the command words and determines the destination for the data byte(s).

7.9 Column driver outputs

The LCD driver section has 101 outputs (C0 to C100) which should be connected directly to the column drive inputs of the LCD. The column driver signals are generated in accordance with the multiplexed row signals and with the data in the display data latch.

The programmed grey-scale levels are built-up in the LCD over four frames (N1₁, N1₂, N1₃ and N1₄) as shown in Figs 3, 4 and 5.

7.10 Row driver outputs

The LCD driver section has 67 outputs (R0 to R66) which should be connected directly to the row drive inputs of the LCD. The row driver signals are generated in accordance with the selected LCD drive mode.

67 × 101 Grey-scale/ECB colour dot matrix LCD driver

PCF8820

7.11 Bias voltage generator

The bias voltage generator generates 4 buffered intermediate LCD bias voltages. It contains 4 operational amplifiers and an input reference voltage generator. It can operate in two voltage ranges:

- Normal mode (from 7.0 to 14.5 V)
- Partial screen mode (from 4.5 to 14.5 V).

7.12 High voltage generator

The high voltage generator contains a voltage multiplier which uses a charge pump circuit supplied by V_{DD2} and V_{DD3} .

The multiplier is software programmable with a factor from 2 to 8. In the direct drive mode the output voltage $V_{LCDOUT} = V_{DD2}$.

7.13 Temperature compensation

The viscosity of the liquid crystal depends on the temperature; so to maintain optimum contrast at lower temperatures V_{LCD} needs usually to be increased. Fig.2 shows V_{LCD} as a function of the temperature for a typical high multiplex rate liquid crystal.

Linear temperature compensation is supported in the PCF8820. The temperature coefficient for V_{LCDOUT} can be set to one of 8 values by setting bits TC_2 to TC_0 .

7.14 Temperature sensor

The PCF8820 has a built-in temperature sensor. The sensor monitors the temperature and writes an 8-bit number into the status register. The temperature sensor and status register can both be accessed via the I²C-bus interface controller.

The temperature sensor allows any temperature compensation to be implemented; any programmable parameter can be optimized as a function of the sensor read-out temperature.

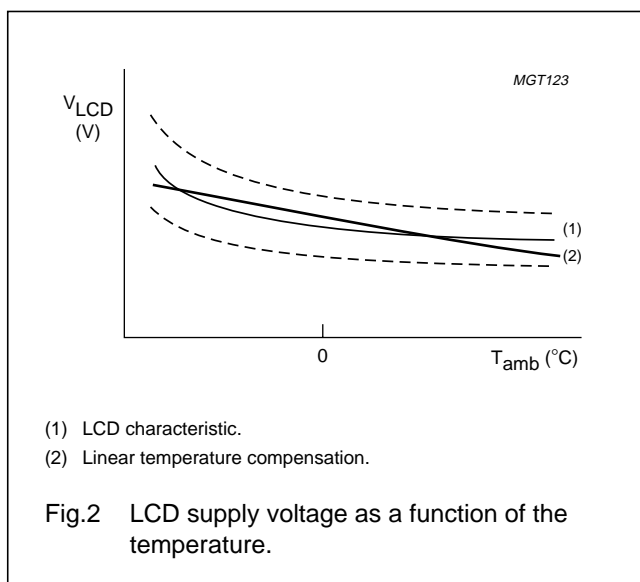
7.15 LCD driver waveforms

The LCD waveforms are shown in Figs 3, 4 and 5.

At frame inversion, the PCF8820 generates a dummy row cycle, where no row is selected. This ensures equal conditions for the first row after frame inversion as for the other rows. Therefore the effective multiplex rate in all modes is 1 : (multiplex rate + 1).

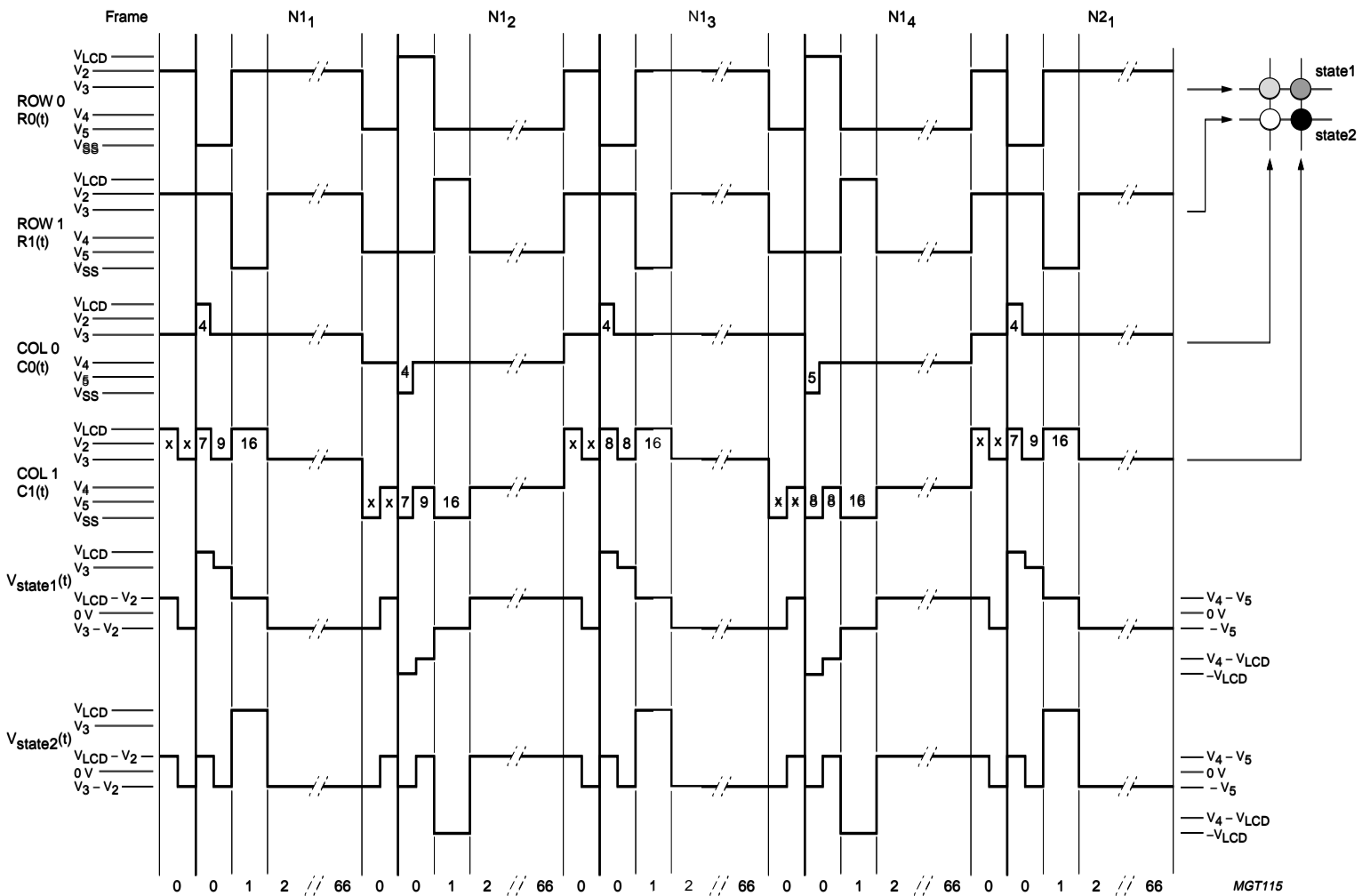
7.16 DDRAM to display mapping

DDRAM to display mapping is shown in Fig.6.



67 × 101 Grey-scale/ECB colour dot matrix LCD driver

PCF8820



Example for setting grey-scale register.
 ROW0, COL0: GS = 17
 ROW1, COL0: GS = 0
 ROW0, COL1: GS = 30
 ROW1, COL0: GS = 63 (63 will be set to 64; see Section 8.1.8).

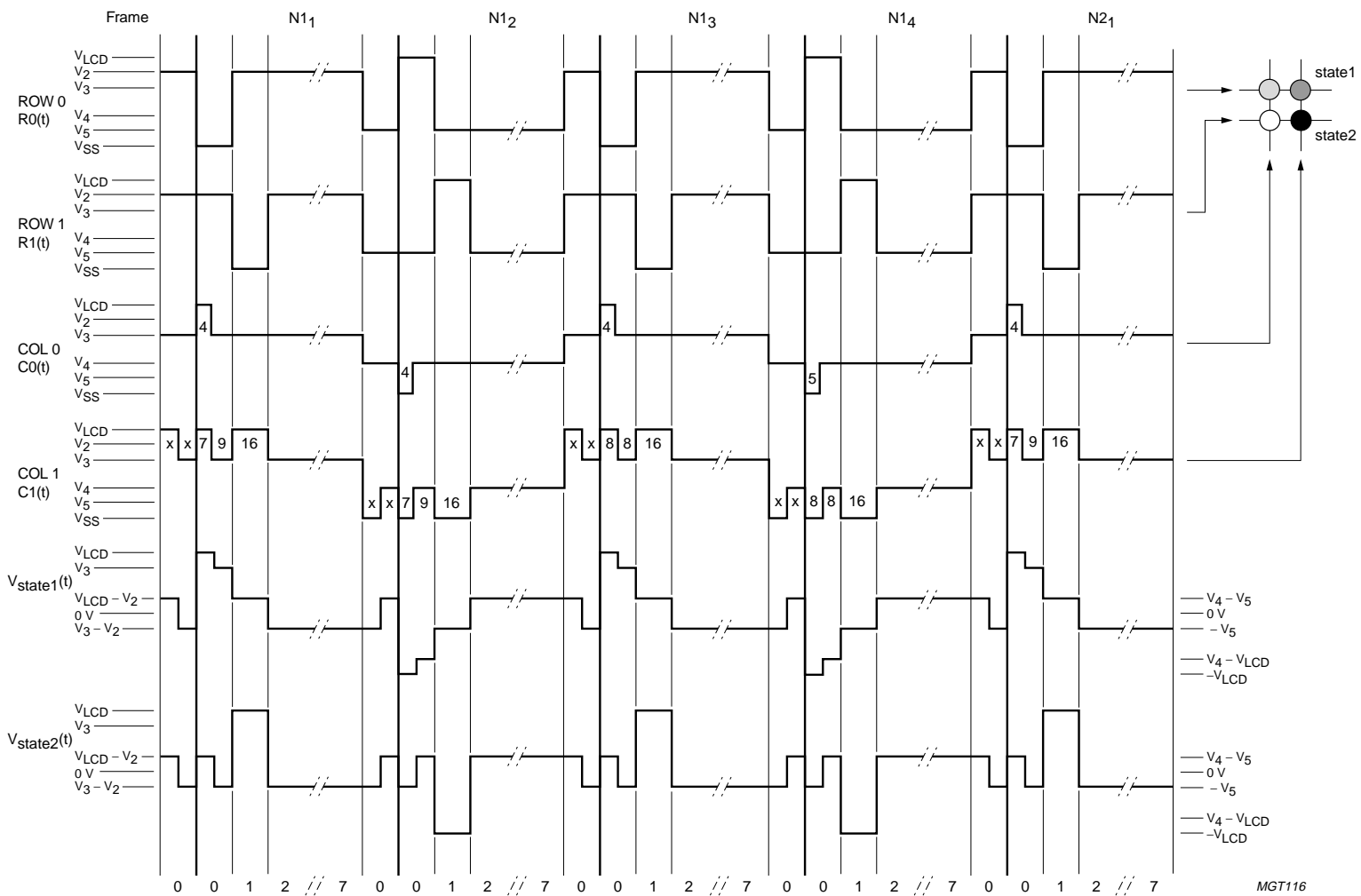
$$V_{state1}(t) = C1(t) - R0(t)$$

$$V_{state2}(t) = C1(t) - R1(t)$$

Fig.3 Typical LCD driver waveforms at a multiplex rate of 1 : 67.

67 × 101 Grey-scale/ECB colour dot matrix LCD driver

PCF8820



Example for setting grey-scale register.
 ROW0, COL0: GS = 17
 ROW1, COL0: GS = 0
 ROW0, COL1: GS = 30
 ROW1, COL0: GS = 63 (63 will be set to 64; see Section 8.1.8).

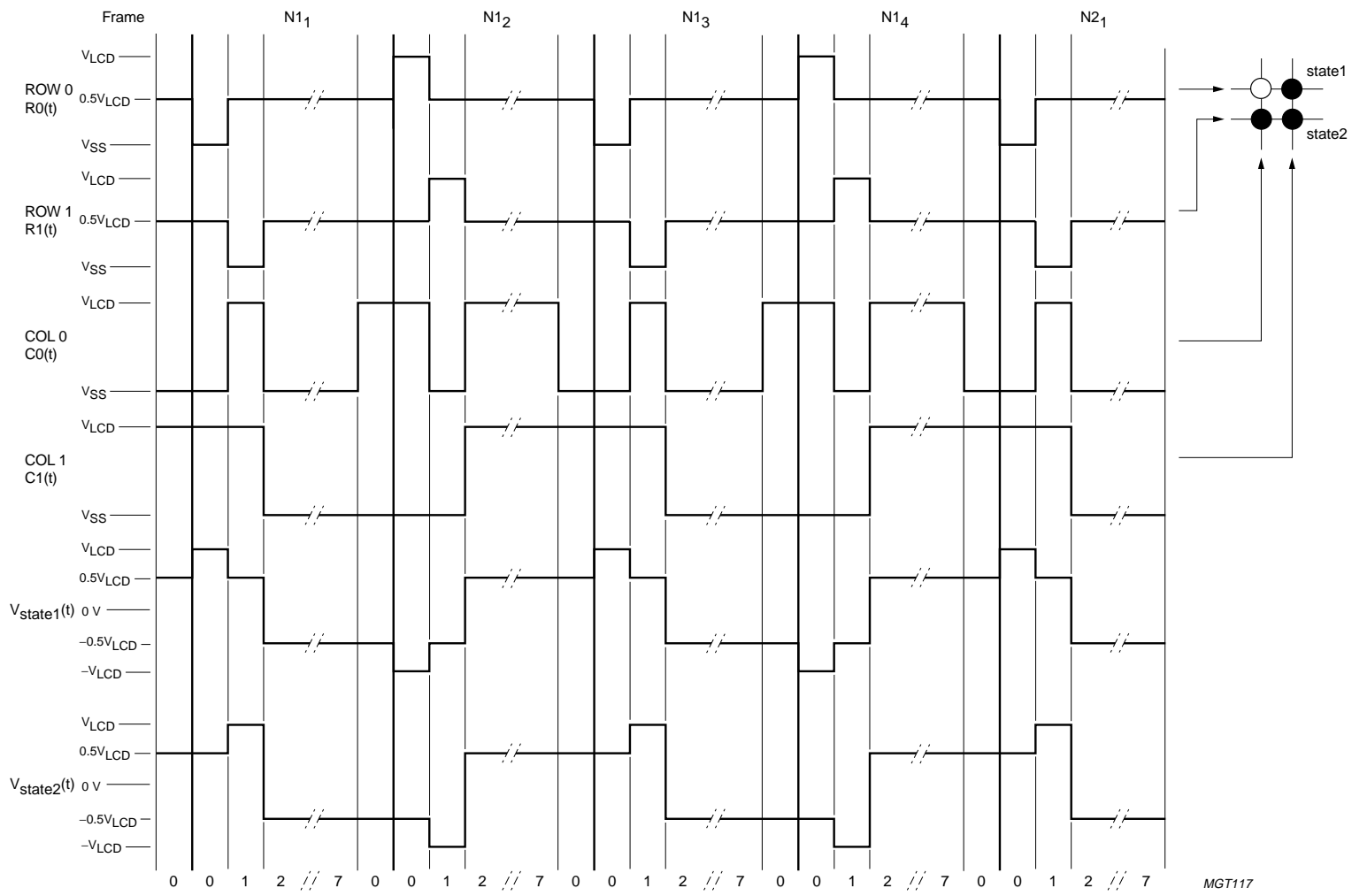
$$V_{state1}(t) = C1(t) - R0(t)$$

$$V_{state2}(t) = C1(t) - R1(t)$$

Fig.4 Typical LCD driver waveforms at a multiplex rate of 1 : 8 for partial screen mode.

67 × 101 Grey-scale/ECB colour dot matrix LCD driver

PCF8820



MGT117

Example for setting grey-scale register.

ROW0, COL0: GS = 0

ROW1, COL0: GS = 63 (63 will be set to 64; see Section 8.1.8).

ROW0, COL1: GS = 63 (63 will be set to 64; see Section 8.1.8).

ROW1, COL0: GS = 63 (63 will be set to 64; see Section 8.1.8).

$$V_{state1}(t) = C1(t) - R0(t).$$

$$V_{state2}(t) = C1(t) - R1(t).$$

Fig.5 Typical LCD driver waveforms at a multiplex rate of 1 : 8, for partial screen mode and bias system 1/2.

67 × 101 Grey-scale/ECB colour dot matrix
LCD driver

PCF8820

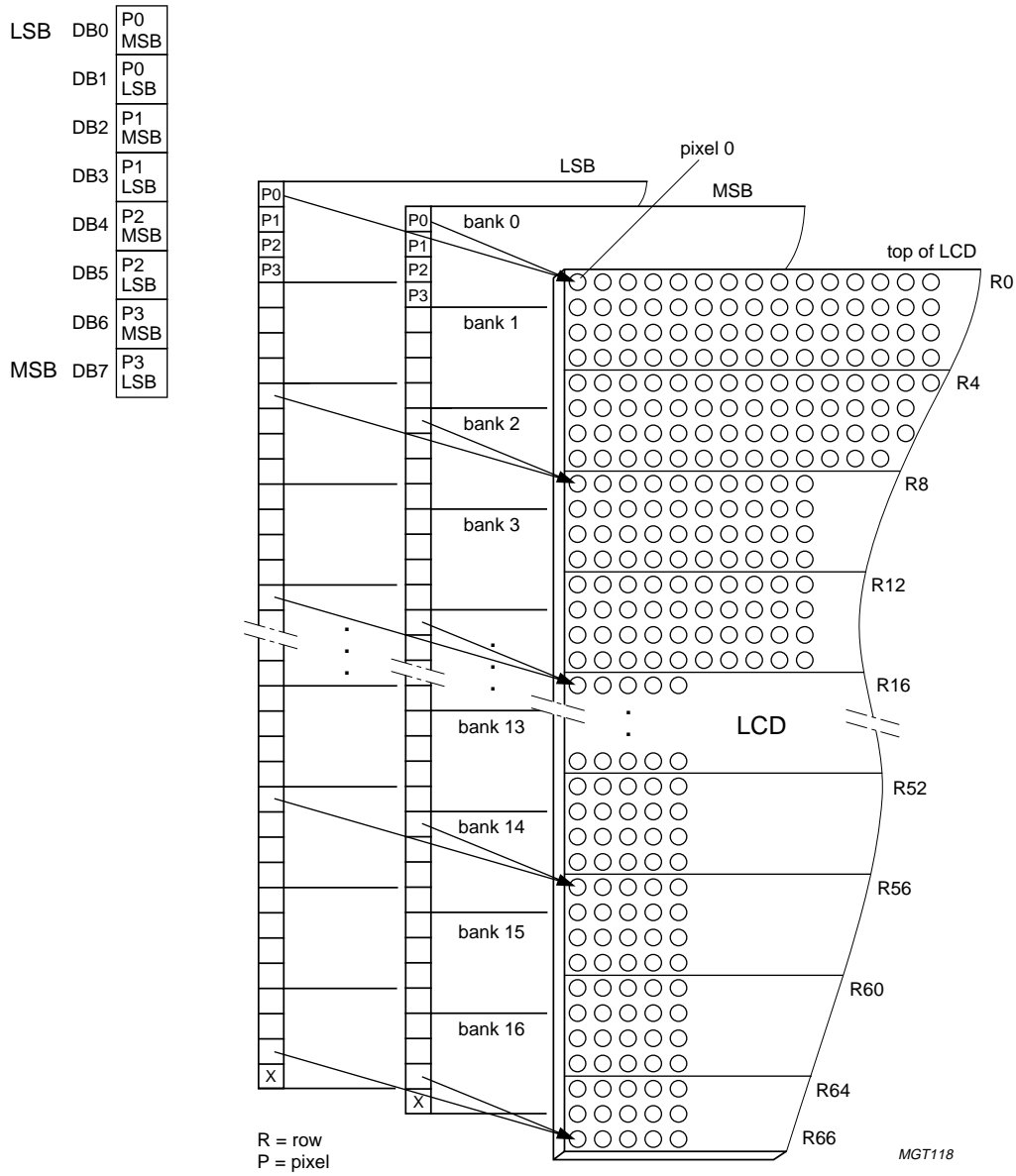


Fig.6 DDRAM to display mapping.

67 × 101 Grey-scale/ECB colour dot matrix LCD driver

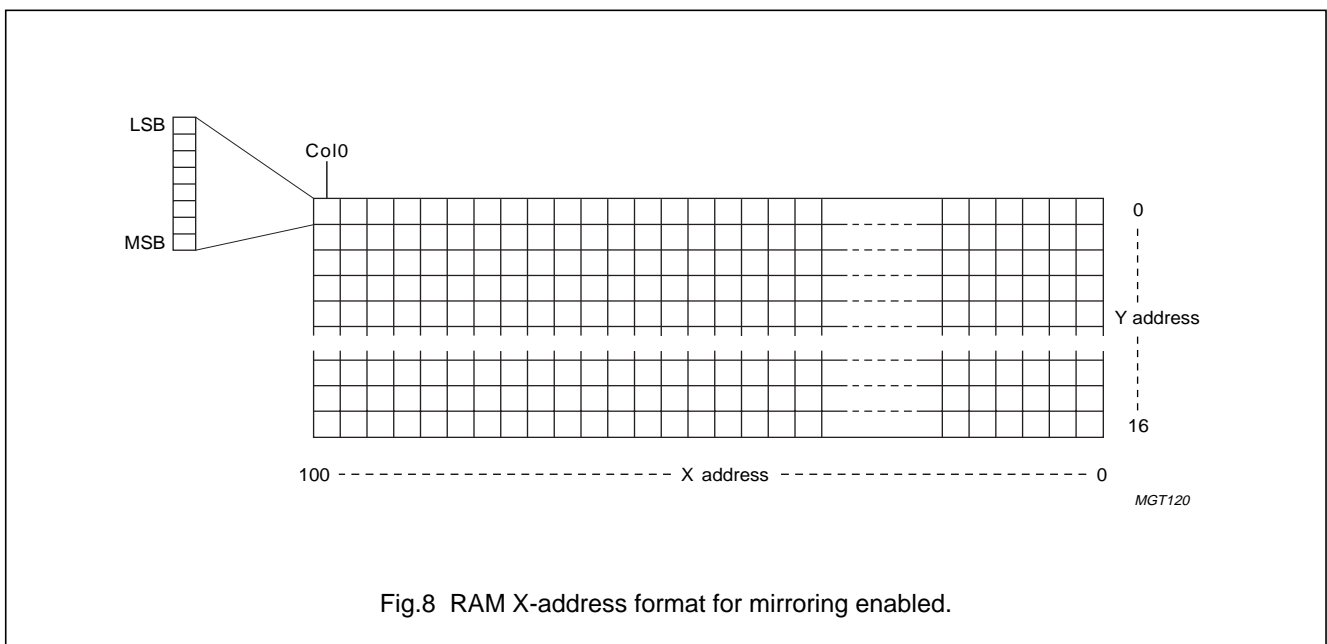
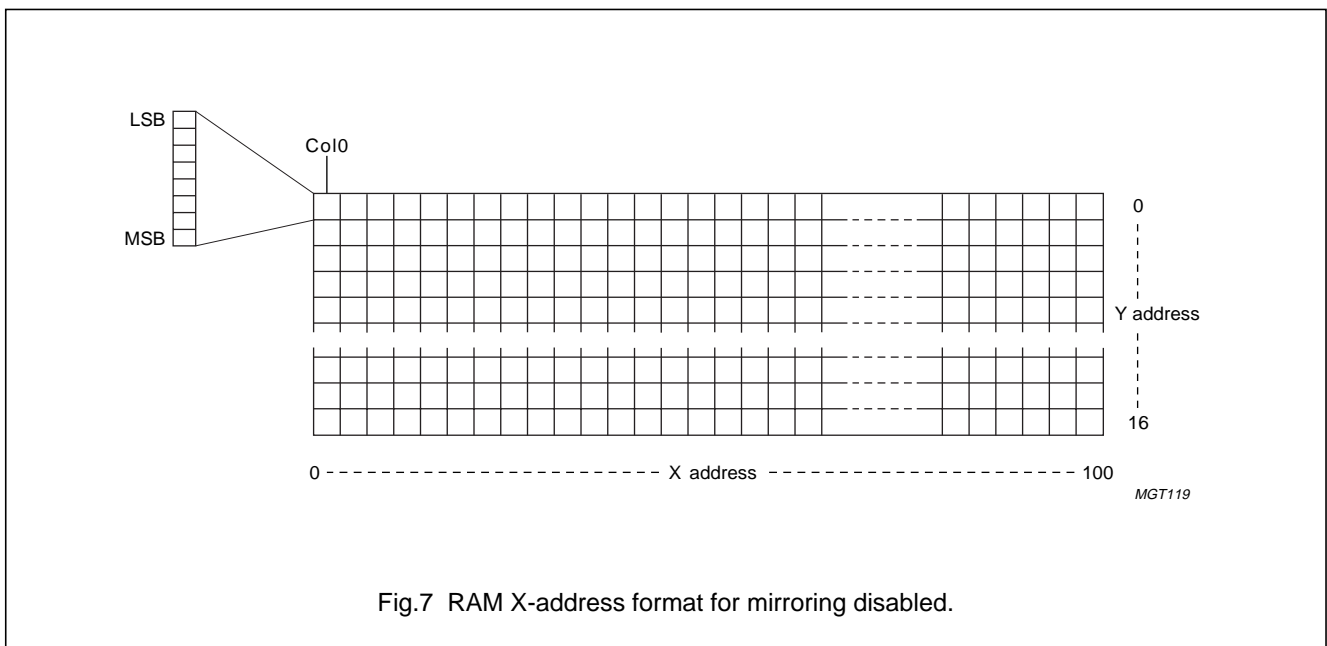
PCF8820

7.17 DDRAM addressing

Data is written in 8-bit bytes into the display data RAM matrix of the PCF8820 (see Figs 6 to 8). The display data RAM comprises a matrix of 67 × 101 × 2 bits. The columns are addressed by the address pointer. The address ranges are: X = 0 to 100 (64H) and Y = 0 to 16 (10H). It should be noted that only 3 rows are addressed in bank 16. Addresses outside these ranges are not allowed.

Bit MX (see Table 3) enables or disables horizontal address space mirroring:

- When bit MX = 0, mirroring is disabled. The address corresponds to Col0 (see Fig.7).
- When bit MX = 1, mirroring is enabled and address X = 0 corresponds to Col0 (see Fig.8). Bit MX determines how data is written to the RAM. If bit MX is changed after writing data to the RAM, no change on the display will be visible.



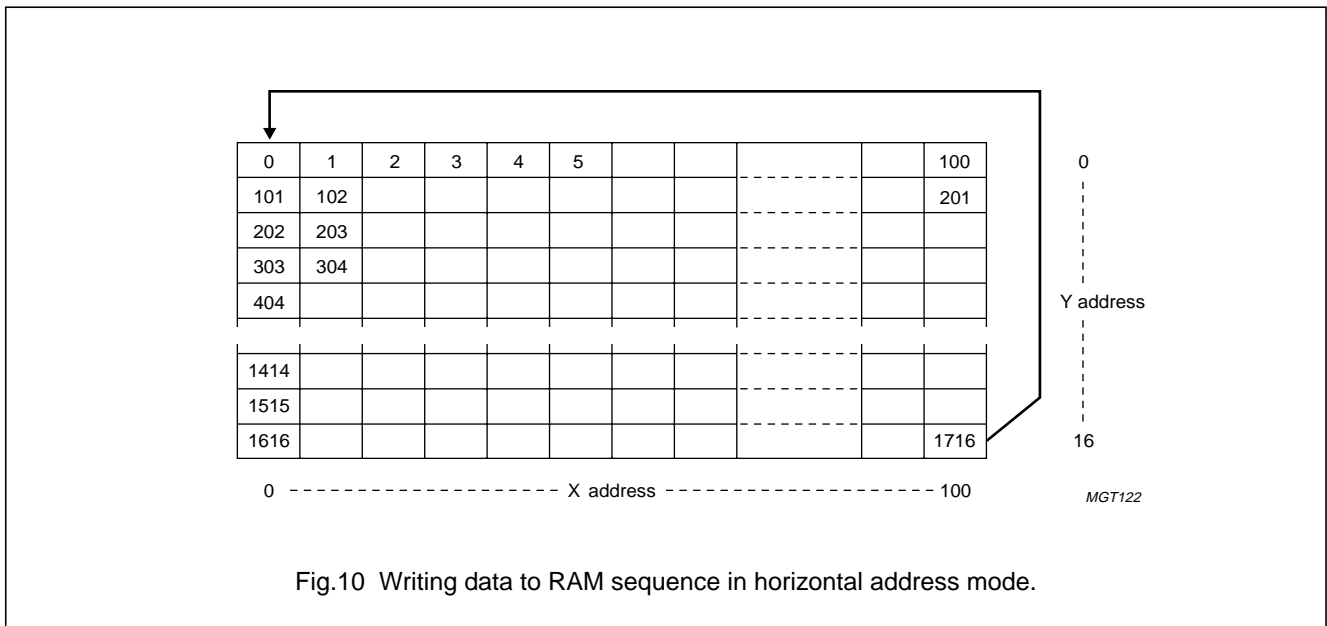
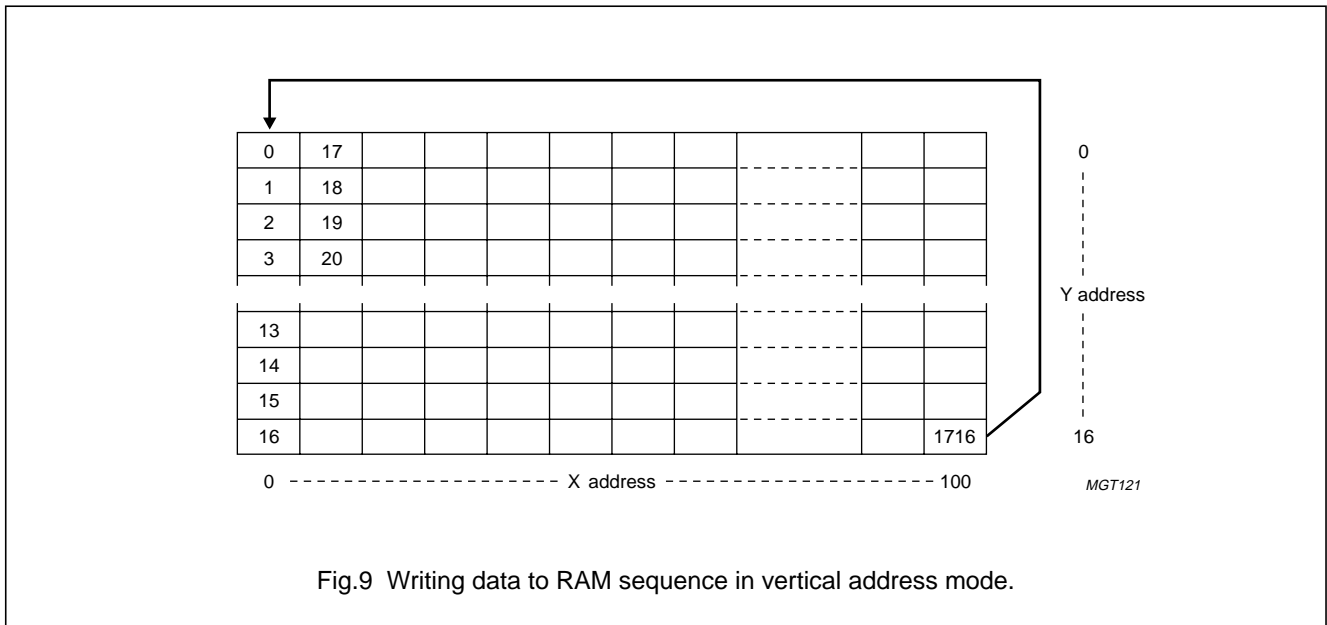
67 × 101 Grey-scale/ECB colour dot matrix LCD driver

PCF8820

Bit V (see Table 3) selects either horizontal or vertical address mode:

- In vertical address mode (bit V = 1), the Y-address is incremented after each byte (see Fig.9). After Y = 16, the Y-address sequence returns to Y = 0 and the X-address is incremented to address the next column.
- In horizontal address mode (bit V = 0) the X-address is incremented after each byte (see Fig.10). After X = 100, the X-address sequence returns to X = 0 and the Y-address is incremented to address the next row.

After the very last address (X = 100 and Y = 16), the address pointers return to the first address (X = 0 and Y = 0). It should be noted that in bank 16 only bits DB0 to DB5 of the data will be written into the RAM.



67 × 101 Grey-scale/ECB colour dot matrix LCD driver

PCF8820

7.18 I²C-bus interface

The I²C-bus allows bidirectional data communication between different ICs or modules. The serial data input line and serial data output line are connected together, so representing the Serial Data (SDA) line. See Section 13.4 for layout considerations. The SDA line and the Serial Clock Line (SCL) line must be connected to a positive supply voltage via a pull-up resistor. Data transfer may be initiated only when the bus is not busy.

7.18.1 BIT TRANSFER

One data bit is transferred during a clock pulse period. The data on the SDA line must remain stable during the HIGH period of the clock pulse, otherwise any change in the data within this period will be interpreted as a control signal (see Fig.11).

7.18.2 START AND STOP CONDITIONS

Both data and clock lines are HIGH when the bus is not busy (see Fig.12).

A START condition (S) occurs when the data line goes from HIGH-to-LOW while the clock is HIGH.

A STOP condition (P) occurs when the data line goes from LOW-to-HIGH while the clock is HIGH.

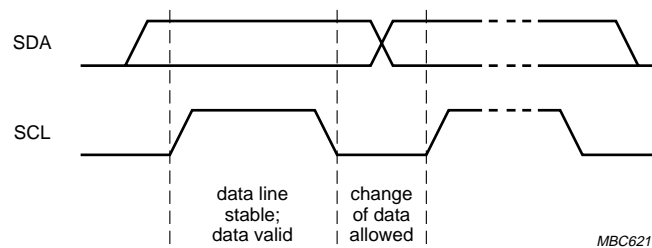


Fig.11 Bit transfer.

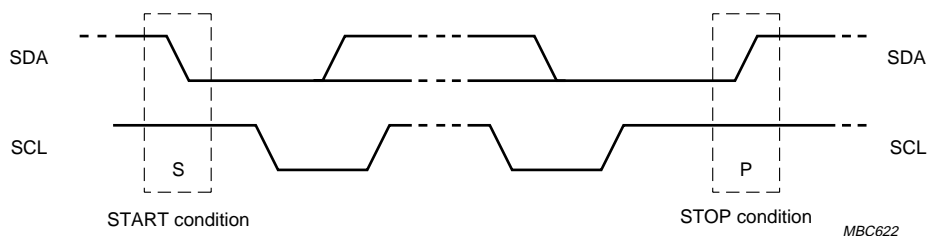


Fig.12 Definition of START and STOP conditions.

67 × 101 Grey-scale/ECB colour dot matrix LCD driver

PCF8820

7.18.3 SYSTEM CONFIGURATION

The system components are defined below (see Fig.13):

- Transmitter: the device which sends data to the bus
- Receiver: the device which receives data from the bus
- Master: the device which initiates a transfer, generates clock signals and terminates a transfer
- Slave: the device addressed by a master
- Multi-master: more than one master can attempt to control the bus at the same time without corrupting the message
- Arbitration: procedure to ensure that, if more than one master simultaneously tries to control the bus, only one is allowed to do so and the message is not corrupted
- Synchronization: procedure to synchronize the clock signals of two or more devices.

During the acknowledge clock pulse a HIGH-level signal is put on the bus by the transmitter.

A slave receiver which is addressed must generate an acknowledge bit after the reception of each data byte. A master receiver must generate an acknowledge bit after receiving a data byte that has been clocked out of the slave transmitter. The device that acknowledges must pull-down the SDA line to a LOW-level during the acknowledge clock pulse. Set-up and hold times must be taken into consideration to ensure that the SDA line is stable during the HIGH period of the acknowledge related clock pulse.

A master receiver must signal an end-of-data to the slave transmitter by not generating an acknowledge bit on the last byte that has been clocked out of the slave transmitter. In this event the slave transmitter must leave the data line HIGH to allow the master to generate a STOP condition.

7.18.4 ACKNOWLEDGE

Each 8-bit data byte transferred over the bus must be followed by an acknowledge bit (see Fig.14).

For the PCF8820 the acknowledge bit is output at pad SDA_OUT.

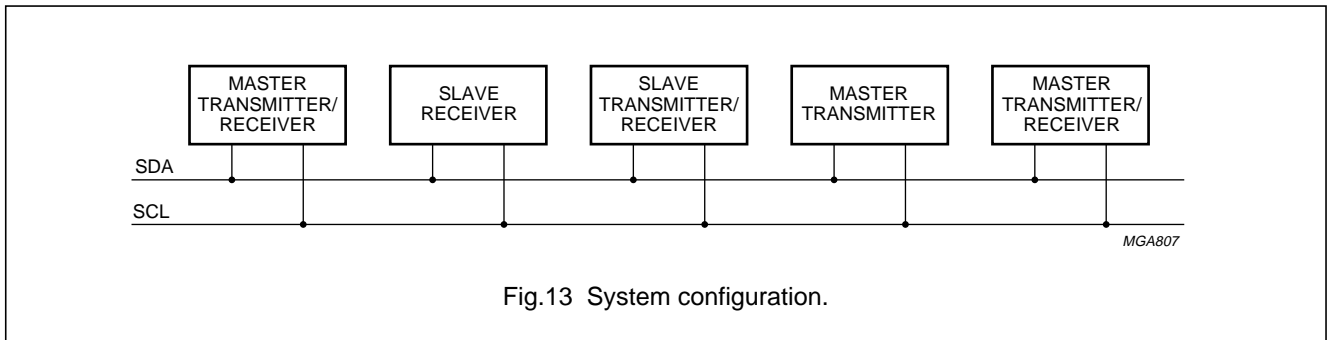


Fig.13 System configuration.

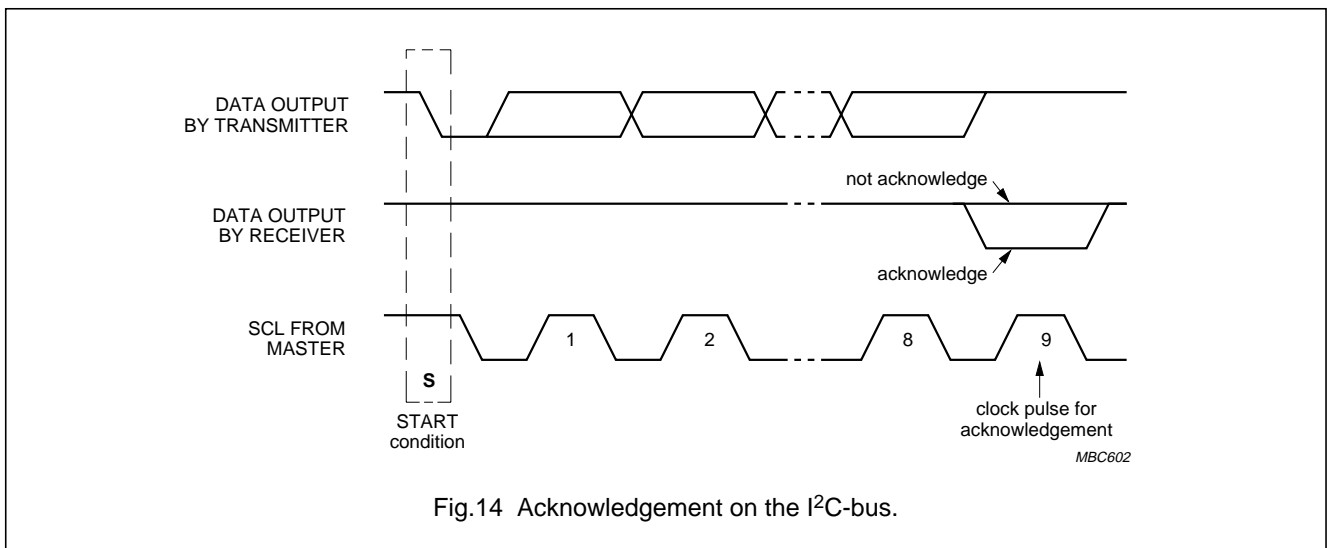


Fig.14 Acknowledgement on the I²C-bus.

67 × 101 Grey-scale/ECB colour dot matrix LCD driver

PCF8820

7.18.5 I²C-BUS PROTOCOL

The PCF8820 is a slave transmitter/receiver. If data is to be read from the device, the SDA_OUT output must be used.

Before any data is transferred over the I²C-bus, the destination device is addressed first (see Fig.15). The PCF8820 has four 7-bit slave addresses reserved: 0111 100, 0111 101, 0111 110 and 0111 111. The two least significant bits of the slave address are set by connecting slave address inputs SA1 and SA0 to either V_{SS1} (logic 0) or V_{DD1} (logic 1).

A write sequence (see Fig.17) is initiated with a START condition (S) from the I²C-bus master which is followed by the slave address. Only the addressed slave acknowledges. After acknowledgement, one or more command words follow which define the status of the addressed slave.

A command word consists of a control byte (see Fig.16) defining 'continuation' bit Co and 'register selection' bit RS, plus a data byte. The last control byte is indicated by resetting bit Co = 0. The control and data bytes are also acknowledged by all addressed slaves on the bus.

Depending on the setting of bit RS in the last control byte, either a series of display data bytes or command data bytes may follow.

If bit RS = 1, the data bytes are stored as display data in the DDRAM at the address specified by the data pointer. The data pointer is automatically incremented. If bit RS = 0, the data byte is interpreted as a command byte to be decoded and the device will be set according to the received commands.

Only the addressed PCF8820 acknowledges after each byte is received. The I²C-bus master issues a stop condition (P) at the end of the transmission.

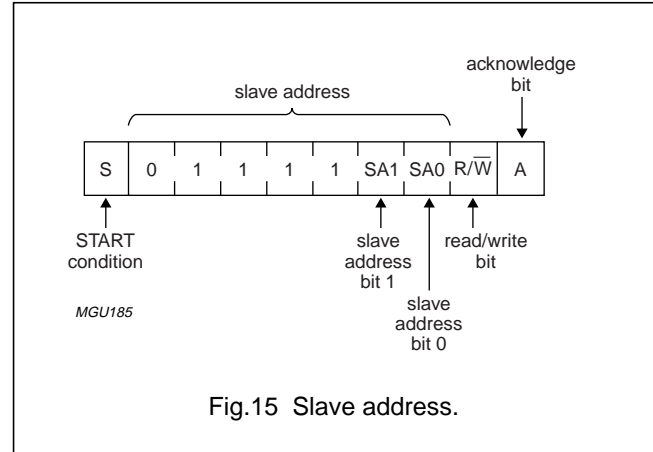


Fig.15 Slave address.

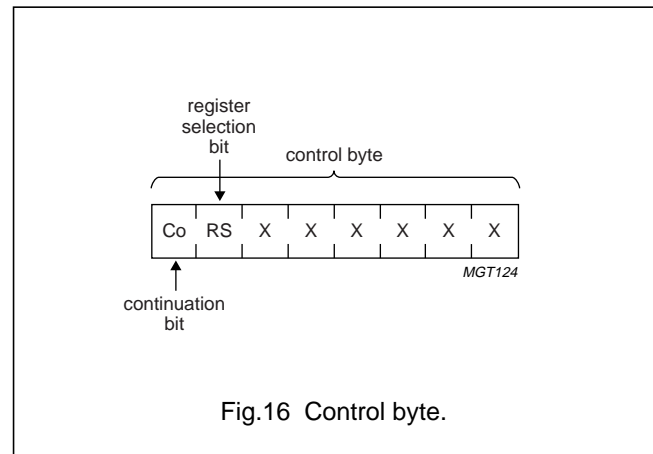


Fig.16 Control byte.

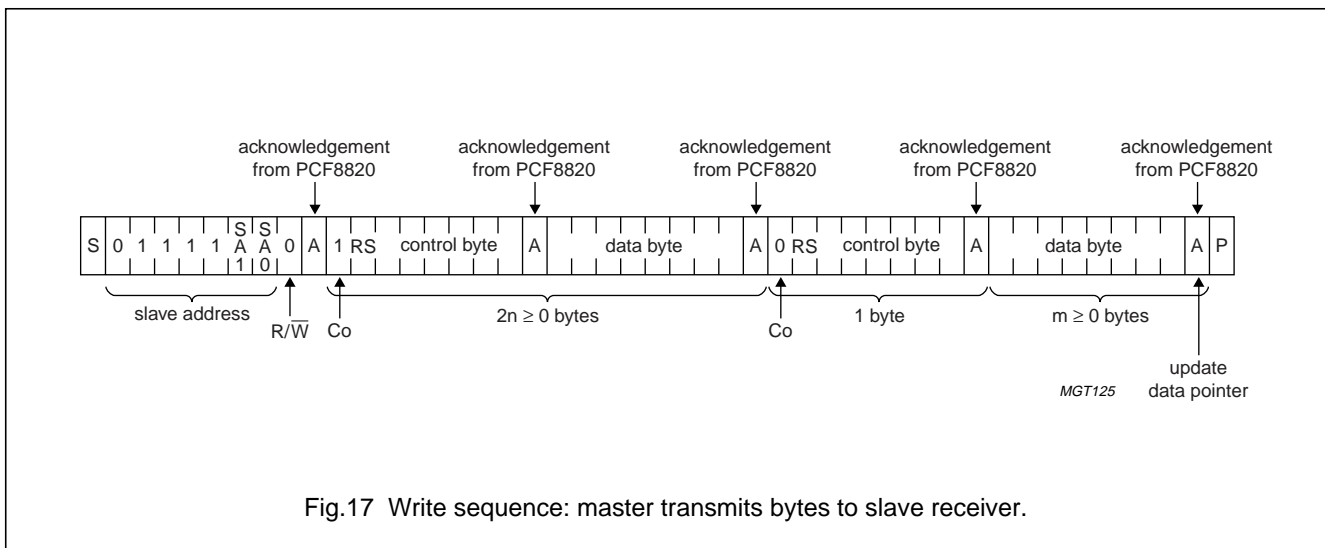


Fig.17 Write sequence: master transmits bytes to slave receiver.

67 × 101 Grey-scale/ECB colour dot matrix LCD driver

PCF8820

For a read sequence (see Fig.18), the addressed PCF8820 will immediately start to output the requested data until a NOT acknowledge is transmitted by the master. Before the read access, the user has to set bit RS to the appropriate value by a preceding write access. The sequence should be terminated by a STOP condition when no further access is required, or by a RE-START condition if further access is required.

7.18.6 COMMAND DECODER

The command decoder identifies command words received via the I²C-bus.

Bit 7 of the control byte is named bit Co (see Fig.16):

- Bit Co = 1 indicates that only one command byte or DDRAM data byte will follow next
- Bit Co = 0 indicates that a stream of command bytes or DDRAM data bytes will follow next depending on last status of bit RS.

Bit 6 of a control byte is named bit RS:

- Bit RS = 1 indicates that another DDRAM data byte will follow next
- Bit RS = 0 indicates that another command byte will follow next.

The definition of bits Co and RS is shown in Table 1.

7.18.7 DISPLAY DATA BYTE

A display data byte for grey-scale is shown in Fig.19.

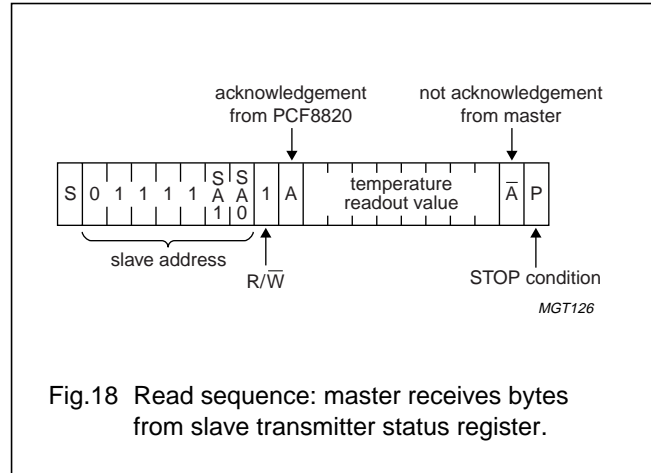


Fig.18 Read sequence: master receives bytes from slave transmitter status register.

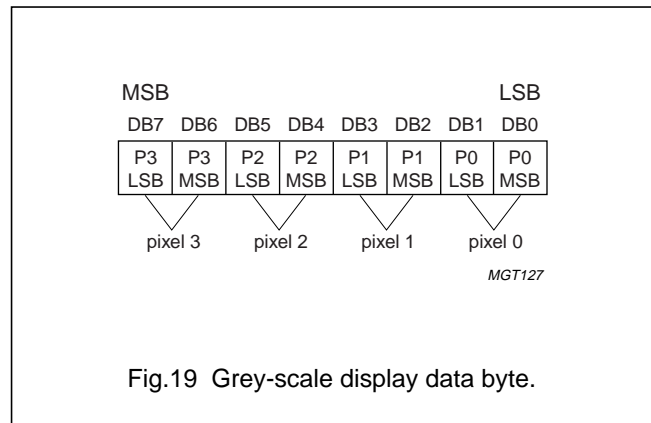


Fig.19 Grey-scale display data byte.

Table 1 Definition of bits Co and RS

| BIT | VALUE | ACTION |
|-----|-------|---|
| Co | 0 | last control byte to be sent; only a stream of data bytes are allowed to follow; this stream may only be terminated by a STOP or RE-START condition |
| | 1 | another control byte will follow the data byte unless a STOP or RE-START condition is received |
| RS | 0 | data byte will be decoded and used to set up the device |
| | | data byte will return the sensor temperature read-out |
| | 1 | data byte will be stored in the DDRAM |
| | | RAM read-back (not supported) |

67 × 101 Grey-scale/ECB colour dot matrix LCD driver

PCF8820

8 INSTRUCTIONS

The PCF8820 interfaces via the I²C-bus. The clock of the LCD is not required to process instructions.

The data received by the PCF8820 is either instruction data which defines its operating mode or display data to be stored in its DDRAM. The type of data is identified by bit RS. When bit RS = 0, the PCF8820 will respond to the instructions. When bit RS = 1, the PCF8820 will load the data into its DDRAM.

There are four types of instruction data whose functions are listed below:

- Define PCF8820 functions, such as display configuration, etc.
- Set DDRAM addresses
- Perform data transfers to DDRAM
- Other functions.

In normal use, the most frequently used instructions are those which perform data transfers to the DDRAM. Address pointer update follows after the data byte has been written to the DRAM. This reduces the program load of the microcontroller.

Undefined register locations are not allowed.

The instruction set comprises several command pages. A command page is selected by setting bits H₀ to H₂.

The instruction set is given in Table 2.

The bit functions are described in detail in Section 8.1.

Table 2 Instruction set

| INSTRUCTION | CONTROL BITS ⁽¹⁾ | | COMMAND BYTE | | | | | | | | DESCRIPTION |
|---|-----------------------------|-----|-----------------|-----------------|-----------------|-----------------|-----------------|-----------------|-----------------|--------------------------------|---|
| | RS | R/W | DB7 | DB6 | DB5 | DB4 | DB3 | DB2 | DB1 | DB0 | |
| Independent command page (H₂ = X, H₁ = X, H₀ = X); note 2 | | | | | | | | | | | |
| Write data | 1 | 0 | D ₇ | D ₆ | D ₅ | D ₄ | D ₃ | D ₂ | D ₁ | D ₀ | writes data to DDRAM |
| Read temperature | 0 | 1 | TR ₇ | TR ₆ | TR ₅ | TR ₄ | TR ₃ | TR ₂ | TR ₁ | TR ₀ | reads sensor temperature read-out |
| NOP | 0 | 0 | 0 | 0 | 0 | 0 | 0 | 0 | 0 | 0 | no operation |
| Default H ₂ to H ₀ | 0 | 0 | 0 | 0 | 0 | 0 | 0 | 0 | 0 | 1 | jumps to function and RAM command page |
| Function and RAM command page (H₂ = 0, H₁ = 0, H₀ = 0) | | | | | | | | | | | |
| Instruction set | 0 | 0 | 0 | 0 | 0 | 0 | 1 | H ₂ | H ₁ | H ₀ | selects a command page |
| Select function | 0 | 0 | 0 | 0 | 0 | 1 | DO | PD | V | 0 | data order; power-down control; address mode |
| Set Y address of DDRAM | 0 | 0 | 0 | 1 | 0 | Y ₄ | Y ₃ | Y ₂ | Y ₁ | Y ₀ | selects Y-address of DDRAM: 0 ≤ Y ≤ 16 |
| Set X address of DDRAM | 0 | 0 | 1 | X ₆ | X ₅ | X ₄ | X ₃ | X ₂ | X ₁ | X ₀ | selects X-address of DDRAM: 0 ≤ X ≤ 100 |
| Display setting command page (H₂ = 0, H₁ = 0, H₀ = 1) | | | | | | | | | | | |
| Display control | 0 | 0 | 0 | 0 | 0 | 0 | 0 | 1 | D | E | selects display mode |
| External display control | 0 | 0 | 0 | 0 | 0 | 0 | 1 | MX | MY | PS | mirror X; mirror Y; partial screen mode |
| Bias system | 0 | 0 | 0 | 0 | 0 | 1 | 0 | BS ₂ | BS ₁ | BS ₀ | selects bias system |
| Bias system ¹ / ₂ | 0 | 0 | 0 | 0 | 1 | 1 | 1 | 0 | 0 | BS ¹ / ₂ | set bias system ¹ / ₂ for partial screen mode |

67 × 101 Grey-scale/ECB colour dot matrix LCD driver

PCF8820

| INSTRUCTION | CONTROL BITS ⁽¹⁾ | | COMMAND BYTE | | | | | | | | DESCRIPTION |
|---|-----------------------------|-----|--------------|------------------|------------------|------------------|------------------|------------------|------------------|------------------|---|
| | RS | R/W | DB7 | DB6 | DB5 | DB4 | DB3 | DB2 | DB1 | DB0 | |
| Display part | 0 | 0 | 0 | 1 | 0 | 0 | 0 | DP ₂ | DP ₁ | DP ₀ | set display for partial screen mode |
| HVGen command page (H₂ = 0, H₁ = 1, H₀ = 0) | | | | | | | | | | | |
| High voltage generator control | 0 | 0 | 0 | 0 | 0 | 0 | 0 | 1 | PRS | HVE | set V _{LCDOUT} programming range and high voltage generator on |
| High voltage generator configuration | 0 | 0 | 0 | 0 | 0 | 0 | 1 | S ₂ | S ₁ | S ₀ | set voltage multiplier factor |
| Temperature control | 0 | 0 | 0 | 0 | 0 | 1 | 0 | TC ₂ | TC ₁ | TC ₀ | set temperature coefficient |
| Temperature measurement control | 0 | 0 | 0 | 0 | 1 | 0 | 0 | 0 | 0 | SM | start temperature measurement |
| V _{LCD} control | 0 | 0 | 1 | V _{OP6} | V _{OP5} | V _{OP4} | V _{OP3} | V _{OP2} | V _{OP1} | V _{OP0} | set V _{LCD} register value: 0 ≤ V _{OP} ≤ 127 |
| Grey-scale/colour command page (H₂ = 0, H₁ = 1, H₀ = 1) | | | | | | | | | | | |
| Grey-scale register control | 0 | 0 | 0 | 1 | 0 | 0 | 0 | 0 | GR ₁ | GR ₀ | select grey-scale register: 0 ≤ GR ≤ 3 |
| Grey-scale level control | 0 | 0 | 1 | 0 | GS ₅ | GS ₄ | GS ₃ | GS ₂ | GS ₁ | GS ₀ | set grey-scale register value: 0 ≤ GS ≤ 63 |
| Special feature command page (H₂ = 1, H₁ = 0, H₀ = 0) | | | | | | | | | | | |
| Display off, direct drive mode | 0 | 0 | 0 | 0 | 0 | 0 | 0 | 1 | DOF | DM | display off; voltage multiplier in direct drive mode |
| Oscillator setting | 0 | 0 | 0 | 0 | 0 | 0 | 1 | 0 | EC | OC | select external clock; start oscillator calibration |
| Row block swapping | 0 | 0 | 0 | 1 | 0 | TRS | BRS | 0 | 0 | 0 | top row swap; bottom row swap |

Notes

1. Bit R/W is set in the slave address byte; bit RS is set in the control byte.
2. X = don't care.

67 × 101 Grey-scale/ECB colour dot matrix LCD driver

PCF8820

8.1 Description of the bit functions

Table 3 Instruction set bit functions

| BIT | RESET STATE | VALUE | FUNCTION |
|------------------------------------|-------------|---------------------------------|---|
| D ₇ to D ₀ | – | – | data to be written to DDRAM |
| TR ₇ to TR ₀ | – | – | read-out value of sensor temperature |
| H ₂ to H ₀ | 000 | 000 001 010 011 100 | command page numbers function and RAM display setting high voltage generator setting grey-scale/colour special features |
| DO | 0 | 0 1 | data order when written to DDRAM normal (see Fig.6) swapped: DB7 <-> DB0, DB6 <-> DB1, etc. |
| PD | 1 | 0 1 | operation mode operating mode Power-down mode; see Section 8.1.1 |
| V | 0 | 0 1 | address mode horizontal address mode: data is written to DDRAM (see Fig.10) vertical address mode: data is written to DDRAM (see Fig.9) |
| Y ₄ to Y ₀ | 0 | – | Y-address of the DDRAM points to the rows; the address range is from 0 to 16 (10H); see Section 8.1.3 |
| X ₆ to X ₀ | 0 | – | X-address of the DDRAM points to the columns; the address range is from 0 to 100 (64H) |
| D, E | 00 | 00 01 10 11 | display mode display blank: using the value in grey-scale register 0 all display segments on: using the value in grey-scale register 3 normal mode: using the values of the four grey-scale registers appropriate to the RAM data inverse video: using the values in all four grey-scale registers as in normal mode but with their values swapped (GS ₀ and GS ₃ values transposed, GS ₁ and GS ₂ values transposed) |
| MX | 0 | 0 1 | horizontal address space mirroring; see Figs 7 and 8; see Table 10 disabled: data to DDRAM is written from left (X = 0) to right (X = 100) enabled: data to DDRAM is written from right (X = 0) to left (X = 100) |
| MY | 0 | 0 1 | vertical address space mirroring; see Table 10 disabled: normal display enabled: data is immediately mirrored vertically on the LCD. The status of bit MY takes effect when data is read from the DDRAM and when generating column signals. |

**67 × 101 Grey-scale/ECB colour dot matrix
LCD driver**

PCF8820

| BIT | RESET STATE | VALUE | FUNCTION |
|--|-------------|--|--|
| PS | 0 | 0 1 | screen mode full display mode: multiplex rate is 1 : 67 partial screen mode: multiplex rate is 1 : 8; see Section 8.1.2. |
| BS ₂ , BS ₁ , BS ₀ | 000 | – | bias system selection bits; see Section 8.1.4 |
| BS ^{1/2} | 0 | 0 1 | bias system selection setting of bits BS2 to BS0 bias system ^{1/2} ; see Section 8.1.4 |
| DP ₂ , DP ₁ , DP ₀ | 000 | 000 111 | display part DDRAM bank 0 to 1: first 8 rows DDRAM bank 14 to 15: last 8 rows |
| PRS | 0 | 0 1 | V _{LCDOUT} programming range; see Fig.20 LOW range HIGH range |
| HVE | 0 | 0 1 | high voltage generator disabled enabled |
| S ₂ , S ₁ , S ₀ | 000 | 000 001 010 011 100 101 110 | voltage multiplier factor; see Section 8.1.5 2 × V _{DD2} 3 × V _{DD2} 4 × V _{DD2} 5 × V _{DD2} 6 × V _{DD2} 7 × V _{DD2} 8 × V _{DD2} |
| TC ₂ , TC ₁ , TC ₀ | 000 | 000 001 010 011 100 101 110 111 | temperature coefficient; see Chapter 11 coefficient 0 coefficient 1 coefficient 2 coefficient 3 coefficient 4 coefficient 5 coefficient 6 coefficient 7 |
| SM | 0 | 0 1 | temperature measurement no measurement start measurement |
| V _{OP6} to V _{OP0} | 0 | – | V _{LCD} control register bits; see Section 8.1.7 |

**67 × 101 Grey-scale/ECB colour dot matrix
LCD driver**

PCF8820

| BIT | RESET STATE | VALUE | FUNCTION |
|------------------------------------|-------------|----------------------|--|
| GR ₁ , GR ₀ | 00 | 00 01 10 11 | grey-scale register selection: register 0: applied if DDRAM content is 00 register 1: applied if DDRAM content is 01 register 2: applied if DDRAM content is 10 register 3: applied if DDRAM content is 11 |
| GS ₅ to GS ₀ | 0 | – | grey-scale level bits; in the reset state all 4 grey-scale registers are reset to 0; see Section 8.1.8 |
| DOF | 1 | 0 1 | display on/off display on display off: the state of the PCF8820 is equivalent to Power-down mode (bit PD = 1). However, temperature measurement is still possible |
| DM | 0 | 0 1 | drive of voltage multiplier no direct drive direct drive: V _{LCDOUT} = V _{DD2} ; see Section 8.1.9 |
| EC | | 0 1 | clock selection internal clock external clock |
| OC | 0 | 0 1 | oscillator setting; see Section 8.1.10 stop calibration of frame frequency start calibration of frame frequency |
| TRS | 0 | 0 1 | top rows not swapped swapped: the signals for row driver outputs R23 to R33 appear at outputs R56 to R66, and the signals for row driver outputs R56 to R66 appear at outputs R23 to R33 |
| BRS | 0 | 0 1 | bottom rows not swapped swapped: the signals for row driver outputs R0 to R22 appear at outputs R34 to R55, and the signals for row driver outputs R34 to R55 appear at outputs R0 to R22 |

67 × 101 Grey-scale/ECB colour dot matrix LCD driver

PCF8820

8.1.1 POWER-DOWN MODE

During power-down (bit PD = 1) all static currents are switched off (no internal oscillator, no timing, no LCD segment drive system) and all LCD outputs are internally connected to V_{SS} .

To decrease the voltage at V_{LCDOUT} very fast the following features can be used:

- Select the direct drive mode by setting bit DM = 1 resulting in $V_{LCDOUT} = V_{DD2}$
- Select the non direct drive mode by setting bit DM = 0, resulting in $V_{LCDOUT} = 0$ V (output high-impedance).

During power-down:

- All LCD outputs at V_{SS} (display off)
- Oscillator is off
- Intermediate bias voltage generator is off
- High voltage generator is disabled; however, the status of bit HVE is unchanged (see Table 8)
- An external V_{LCD} can be disconnected from V_{LCDIN}
- The I²C-bus is operational; commands can be executed
- DDRAM contents is not cleared; DDRAM data can be written
- Register settings remain unchanged
- Temperature measurement is not possible.

8.1.2 PARTIAL SCREEN MODE

Partial screen mode allows data to be displayed of DDRAM bank 0 to 1 on the first 8 rows or bank 14 to 15 on the last 8 rows, depending on the status of bits DP₂ to DP₀.

If bit MY = 0, data is displayed either on rows 0 to 7 (first 8 rows) or on rows 56 to 63 (last 8 rows).

If bit MY = 1, data is displayed either on rows 66 to 59 (first 8 rows) or on rows 10 to 3 (last 8 rows).

The partial screen mode also allows V_{LCDIN} to be reduced to save power.

Frame frequency calibration is not allowed in the partial screen mode.

8.1.3 Y-ADDRESS OF DDRAM

Bits Y₄ to Y₀ define the Y-address of the DDRAM.

Table 4 Y-address

| Y ₄ | Y ₃ | Y ₂ | Y ₁ | Y ₀ | RAM BANK |
|----------------|----------------|----------------|----------------|----------------|----------|
| 0 | 0 | 0 | 0 | 0 | bank 0 |
| 0 | 0 | 0 | 0 | 1 | bank 1 |
| 0 | 0 | 0 | 1 | 0 | bank 2 |
| 0 | 0 | 0 | 1 | 1 | bank 3 |
| 0 | 0 | 1 | 0 | 0 | bank 4 |
| 0 | 0 | 1 | 0 | 1 | bank 5 |
| 0 | 0 | 1 | 1 | 0 | bank 6 |
| 0 | 0 | 1 | 1 | 1 | bank 7 |
| 0 | 1 | 0 | 0 | 0 | bank 8 |
| 0 | 1 | 0 | 0 | 1 | bank 9 |
| 0 | 1 | 0 | 1 | 0 | bank 10 |
| 0 | 1 | 0 | 1 | 1 | bank 11 |
| 0 | 1 | 1 | 0 | 0 | bank 12 |
| 0 | 1 | 1 | 0 | 1 | bank 13 |
| 0 | 1 | 1 | 1 | 0 | bank 14 |
| 0 | 1 | 1 | 1 | 1 | bank 15 |
| 1 | 0 | 0 | 0 | 0 | bank 16 |

8.1.4 BIAS SYSTEM

Different LCD bias voltage settings are required at different multiplex rates. The status of bits BS₂ to BS₀ and bit BS^{1/2} select different 'bias systems' which determine the intermediate bias voltage levels between V_{LCDIN} and V_{SS1} . It should be noted that the bias system selected by bit BS^{1/2} is independent of the bias systems selected by bits BS₂ to BS₀.

A value 'n' attributed to each bias system is used to calculate these levels (see Table 5).

The optimum value for 'n' is given by: $n = \sqrt{M} - 3$ where M is the multiplex rate.

Table 6 shows how bias voltage levels are calculated for three of the available bias systems using supported 'n' values.

67 × 101 Grey-scale/ECB colour dot matrix LCD driver

PCF8820

Table 5 Programming the required bias system

| BS2 | BS1 | BS0 | BS ^{1/2} | n | BIAS SYSTEM | COMMENT |
|-----|-----|-----|-------------------|----|-------------|---|
| 0 | 0 | 0 | 0 | 7 | 1/11 | |
| 0 | 0 | 1 | 0 | 6 | 1/10 | |
| 0 | 1 | 0 | 0 | 5 | 1/9 | recommended at multiplex rate 1 : 67 |
| 0 | 1 | 1 | 0 | 4 | 1/8 | |
| 1 | 0 | 0 | 0 | 3 | 1/7 | |
| 1 | 0 | 1 | 0 | 2 | 1/6 | |
| 1 | 1 | 0 | 0 | 1 | 1/5 | |
| 1 | 1 | 1 | 0 | 0 | 1/4 | recommended at multiplex rate 1 : 8 |
| X | X | X | 1 | -2 | 1/2 | allows a lower V _{LCDIN} at multiplex rate 1 : 8 |

Table 6 Examples of LCD bias voltages

| BIAS VOLTAGE LEVEL ON PAD | CALCULATING BIAS VOLTAGE | BIAS SYSTEM | | |
|------------------------------|------------------------------------|--------------------------------|--------------------------------|--------------------------------|
| | | 1/9 (n = 5) | 1/4 (n = 0) | 1/2 (n = -2) |
| V _{LCDOUT} | V _{LCDIN} | V _{LCDIN} | V _{LCDIN} | V _{LCDIN} |
| V ₂ | $\frac{n+3}{n+4} \times V_{LCDIN}$ | $\frac{8}{9} \times V_{LCDIN}$ | $\frac{3}{4} \times V_{LCDIN}$ | $\frac{1}{2} \times V_{LCDIN}$ |
| V ₃ | $\frac{n+2}{n+4} \times V_{LCDIN}$ | $\frac{7}{9} \times V_{LCDIN}$ | $\frac{1}{2} \times V_{LCDIN}$ | V _{SS1} |
| V ₄ | $\frac{2}{n+4} \times V_{LCDIN}$ | $\frac{2}{9} \times V_{LCDIN}$ | $\frac{1}{2} \times V_{LCDIN}$ | V _{LCDIN} |
| V ₅ | $\frac{1}{n+4} \times V_{LCDIN}$ | $\frac{1}{9} \times V_{LCDIN}$ | $\frac{1}{4} \times V_{LCDIN}$ | $\frac{1}{2} \times V_{LCDIN}$ |
| V _{SS1} | V _{SS1} | V _{SS1} | V _{SS1} | V _{SS1} |

8.1.5 HIGH VOLTAGE GENERATOR CONFIGURATION

The PCF8820 incorporates a software configurable voltage multiplier which uses a charge pump circuit supplied by V_{DD2} and V_{DD3}. After a reset the voltage multiplier factor is set to 2 (V_{LCDOUT} = 2 × V_{DD2}). Other voltage multiplier factors are set by bits S₂ to S₀.

To reduce high current peaks at voltage multiplier start-up, it is recommended that the voltage multiplier is switched on using the following procedure:

1. Set bit DM = 1 and bit PD = 1
2. Set multiplication factor to 2 by setting bits S₂ to S₀ to logic 0
3. Set register value V_{OP} to the desired value, bit PRS = 1 and bit HVE = 1
4. Set bit PD = 0, which switches on the charge pump (at multiplication factor 2)

5. Increment the multiplication factor to the desired value for V_{LCDOUT} using bits S₂ to S₀.

8.1.6 TEMPERATURE READ-OUT

The PCF8820 has a built-in temperature sensor. At the end of a temperature measurement, the sensor writes a temperature value to the status register. The temperature value is an 8-bit number represented by bits TR₇ to TR₀ in the status register which can be read via the I²C-bus.

To save power, the sensor need only be enabled when a measurement is required. A measurement is initialized by setting bit SM = 1 which will be automatically cleared after 5 clock cycles (from internal oscillator or external clock). The internal oscillator will be initialized and allowed to warm-up for approximately 2 frame periods, after which a measurement will be initiated at the start of the next frame and completing after 2 frames.

67 × 101 Grey-scale/ECB colour dot matrix
LCD driver

PCF8820

It is not possible to measure temperature in Power-down mode.

During a temperature measurement, the status register value remains zero until the measurement has completed and then the register is updated with the current temperature value (non-zero value). Because the I²C-bus interface is asynchronous to the temperature measurement, the value read from the status register should be validated by reading the status register a few times.

During a temperature measurement, the temperature coefficient (TC) has to be selected.

The ideal temperature read-out can be calculated by the equation: $TR_{ideal} = 128 + (T - 27 \text{ °C}) \times \frac{1}{a}$

where T is the on-chip temperature in °C and 'a' is the conversion constant (see Chapter 11).

To improve the accuracy of the temperature measurement, it is recommended that the temperature read-out is calibrated during the product's final assembly. Calibration of the temperature read-out requires a measurement to be made at a defined ideal temperature. The offset between the ideal temperature value and the measured temperature value is calculated by:

$$TR_{offset} = TR_{ideal} - TR_{meas}$$

where TR_{meas} is the actual temperature read-out of the PCF8820. The offset value must be stored in a non-volatile register, such as an EEPROM.

A calibrated temperature read-out can be calculated for each measurement by the equation:

$$TR_{cal} = TR_{meas} + TR_{offset}$$

The accuracy after the calibration is ±10% ±1 bit of the difference between the measured temperature and the calibration temperature. For this reason, it is recommended that a calibration is performed at or near the most sensitive LCD temperature.

For example: calibration temperature is 25 °C and the measured temperature is -20 °C. The relative error $A = \pm 0.10 \times \{25 - (-20)\} \pm 1 \text{ bit} \times a$

$$A = \pm 4.5 \pm 1.13$$

$$A = \pm 5.63 \text{ °C.}$$

This calibration accuracy is valid for temperature measurements made when the supply voltage value is the same as when it was calibrated.

8.1.7 V_{LCD} CONTROL REGISTER

The V_{LCDOUT} value can be set by software using the bits V_{OP6} to V_{OP0} of the V_{LCD} control register.

The programmed value for V_{LCD} has to be calculated for a reference temperature, called the cut-point temperature T_{cp}, using the equation:

$$V_{LCD} \text{ (at } T_{cp}) = a + b \times V_{OP}$$

The values for parameters T_{cp}, a and b are given in Table 7, and their relationship with the V_{LCD} control register values are shown in Fig.20.

The V_{LCDOUT} generated is dependent on the operating temperature T_{oper}, the selected temperature coefficient TC and the programmed value for V_{LCD} at the reference temperature T_{cp} and is calculated by the equation:

$$V_{LCD} \text{ (at } T_{oper}) = V_{LCD} \text{ (at } T_{cp}) \times \{1 + TC \times (T_{oper} - T_{cp})\}$$

Two overlapping V_{LCD} ranges are selectable by bit PRS (see Table 7 and Fig.20). The maximum voltage that can be generated depends on the values of V_{DD2} and V_{DD3}, and the display load current. At a multiplex rate of 1 : 67, the optimum operating voltage for the LCD can be calculated by the equation:

$$V_{LCD} = \frac{1 + \sqrt{67 + 1}}{\sqrt{2 \times \left(1 - \frac{1}{\sqrt{67 + 1}}\right)}} \times V_{th} \approx 6.975 \times V_{th}$$

where V_{th} is the threshold voltage of the liquid crystal material used.

The practical value for V_{LCD} is determined by equating V_{off(rms)} with the defined LCD threshold voltage (V_{th}), which is the typically value when the LCD exhibits approximately 10% contrast.

Table 7 Parameter values for programming V_{LCD} control register

| SYMBOL | VALUE | | UNIT |
|-------------------|---------------|-----------------|------|
| | BIT PRS = 0 | BIT PRS = 1 | |
| T _{cp} | 23.0 | 23.0 | °C |
| a | 4.500 | 10.215 | V |
| b | 0.045 | 0.045 | V |
| programming range | 4.5 to 10.215 | 10.215 to 15.93 | V |

67 × 101 Grey-scale/ECB colour dot matrix LCD driver

PCF8820

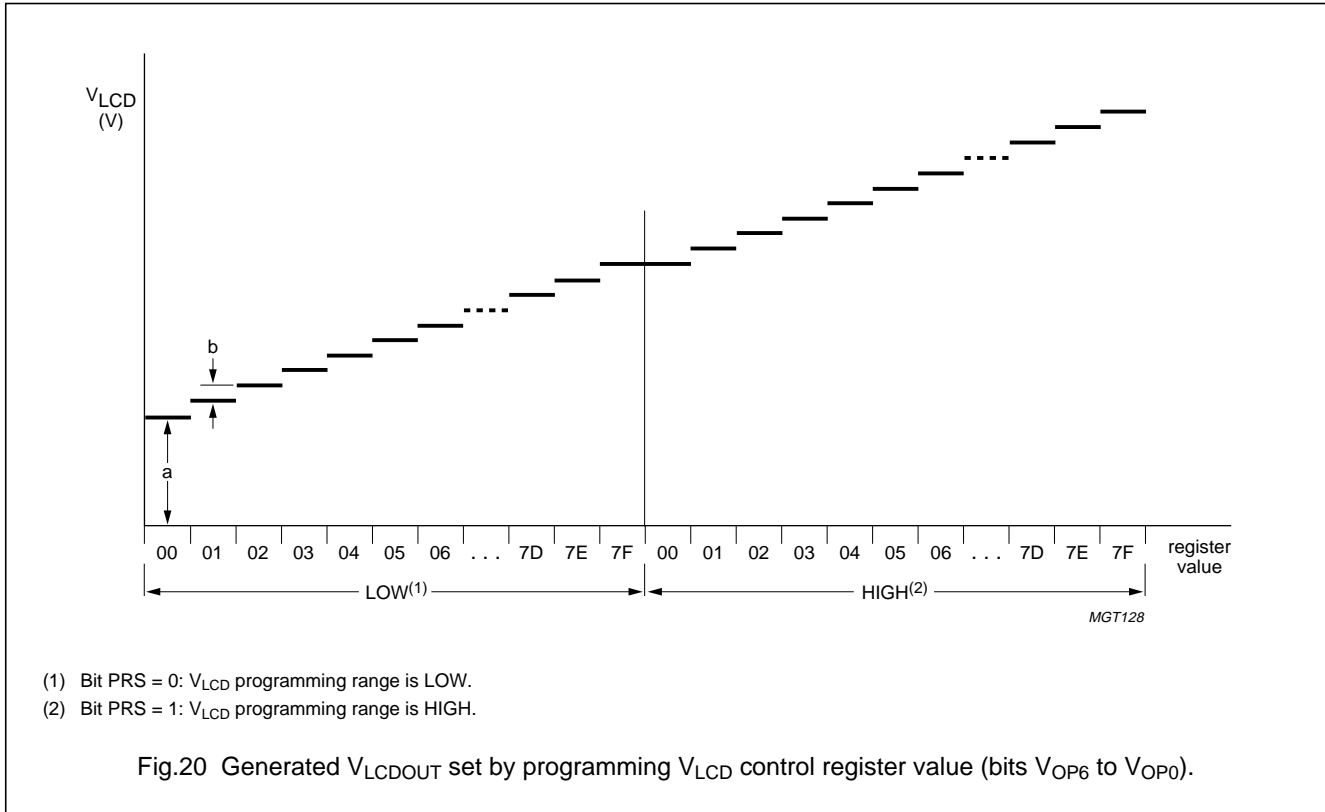


Fig.20 Generated V_{LCDOUT} set by programming V_{LCD} control register value (bits V_{OP6} to V_{OP0}).

The programming range for the generated V_{LCDOUT} allows values above the maximum value of V_{LCD} . Therefore, the user must ensure that the V_{LCD} control register value and the temperature coefficient selected, will never allow the maximum V_{LCD} limit to be exceeded for all conditions and including all tolerances. The customer must also ensure that the V_{LCD} control register value will never be lower than V_{DD1} or V_{DD2} , except in the Power-down mode, for all conditions and including all tolerances.

8.1.8 GREY-SCALE REGISTER AND GREY-SCALE LEVEL

The PCF8820 has 4 grey-scale registers selected by bits GR_0 and GR_1 , which define the four grey intensity levels. Each of the 4 registers contain 6 bits allowing to select one out of the 64 grey levels. A grey-scale register must be addressed before it can be written to by using the instruction 'Grey-scale register' (see Table 2). The content of the grey-scale register (bits GS_5 to GS_0) is set by the instruction 'Grey-scale level control' (see Table 2). It should be noted that a grey-scale register setting of 63 is internally converted to 64. Even numbers are preferred; odd numbers produce a small DC component in the waveform of the respective column (see Fig.3).

The grey-scale level for each pixel is effected by writing the resultant grey-scale register value into the DDRAM (see Fig.6).

One of the grey-scale registers can be used to create a blinking cursor. The intensity of the pixels comprising the cursor are to be defined by the value in the grey-scale register. The brightness/colour of the cursor pixels can be changed by selecting a different grey-scale register containing a different grey-scale value.

A blinking cursor can be effected by continuously switching the content of one grey-scale register between the two grey-scales from e.g. white to black and back again with a frequency of 2 Hz giving the impression of a blinking cursor. This procedure causes less load for the microcontroller than changing all pixels which form the desired cursor. This implies the display has 3 grey-scale levels left e.g. off, grey and on.

67 × 101 Grey-scale/ECB colour dot matrix LCD driver

PCF8820

8.1.9 DIRECT DRIVE MODE

The voltage multiplier is in the direct drive mode ($V_{LCDOUT} = V_{DD2}$) in the following settings (see Table 8):

- If bit DM = 1 and Power-down mode (bit PD = 1)
- If bit DM = 1 and display off mode (bit DOF = 1)
- If bit DM = 1 and high voltage generator is disabled (bit HVE = 0).

It is recommended to always select the direct drive mode before switching on the voltage multiplier. This is a feature which can be used to reduce V_{LCDOUT} very quickly, or to avoid high current when the voltage multiplier starts up.

Output V_{LCDOUT} is high-impedance when bit DM = 0 and bit PD = 1, bit DM = 0 and bit DOF = 0 or when bit DM = 0, bit PD = 0 and bit HVE = 0.

Table 8 Output V_{LCDOUT} as a function of bits DM, HVE, PD and DOF; note 1

| DM | HVE | PD | DOF | V_{LCDOUT} |
|----|-----|----|-----|--------------------------------|
| 0 | X | 1 | X | high Z |
| 0 | X | X | 1 | high Z |
| 0 | 0 | 0 | 0 | high Z |
| 1 | 0 | 0 | 0 | V_{DD2} |
| 1 | X | 1 | X | V_{DD2} |
| 1 | X | X | 1 | V_{DD2} |
| X | 1 | 0 | 0 | internally generated V_{LCD} |

Note

1. X = don't care.

8.1.10 FRAME FREQUENCY CALIBRATION

The PCF8820 uses on-chip software to calibrate the frame frequency. After reset, the frame frequency calibration is disabled (bit OC = 0). Frame frequency calibration can only be performed if the PCF8820 is not in Power-down mode or in the partial screen mode.

The calibration is initiated by setting bit OC = 1 and is stopped by setting bit OC = 0. The time between calibration start and stop must be 190 μ s to give a frame frequency of 77 Hz (typical value).

All other commands are allowed during a calibration.

The frame frequency calibration uses a pre-divider which has a range from 1 : 1 to 1 : 15. The default ratio after reset is 1 : 4. The calibration period determines the pre-divider ratio for the oscillator frequency or external clock signal.

The resulting frame frequency is calculated by the

$$\text{equation: } f_{\text{frame}} = \frac{f_{\text{clk}}}{1088} \times \text{pre-divider ratio [Hz]}$$

where f_{clk} can be either the internal oscillator clock signal or an external clock signal source.

Figure 21 shows the resulting frame frequency at different clock frequencies and at different pre-divider ratios, for a calibration period of 190 μ s.

The frame frequency calibration can also be used to set the frame frequency to a lower than typical value with a corresponding reduction in current consumption. The necessary calibration period (time between calibration start and stop) can be estimated by the equation:

$$t_{\text{cal}} = \frac{77 \text{ (Hz)} \times 190 \text{ (\mu s)}}{f_{\text{frame}}}$$

where t_{cal} is the calibration time in μ s and f_{frame} is the desired frame frequency in Hz.

Figure 22 shows the resulting frame frequency as a function of the calibration period at different pre-divider ratios at a clock frequency of 336 kHz.

8.2 Reset and initialization

After power-on the content of all internal registers including the DDRAM are in an undefined state. A reset pulse must be applied within a specified time to reset all internal registers. A reset can be achieved by applying an external reset pulse (active LOW) to pad $\overline{\text{RES}}$. When reset occurs within the specified time all internal registers are reset, however the DDRAM is still undefined.

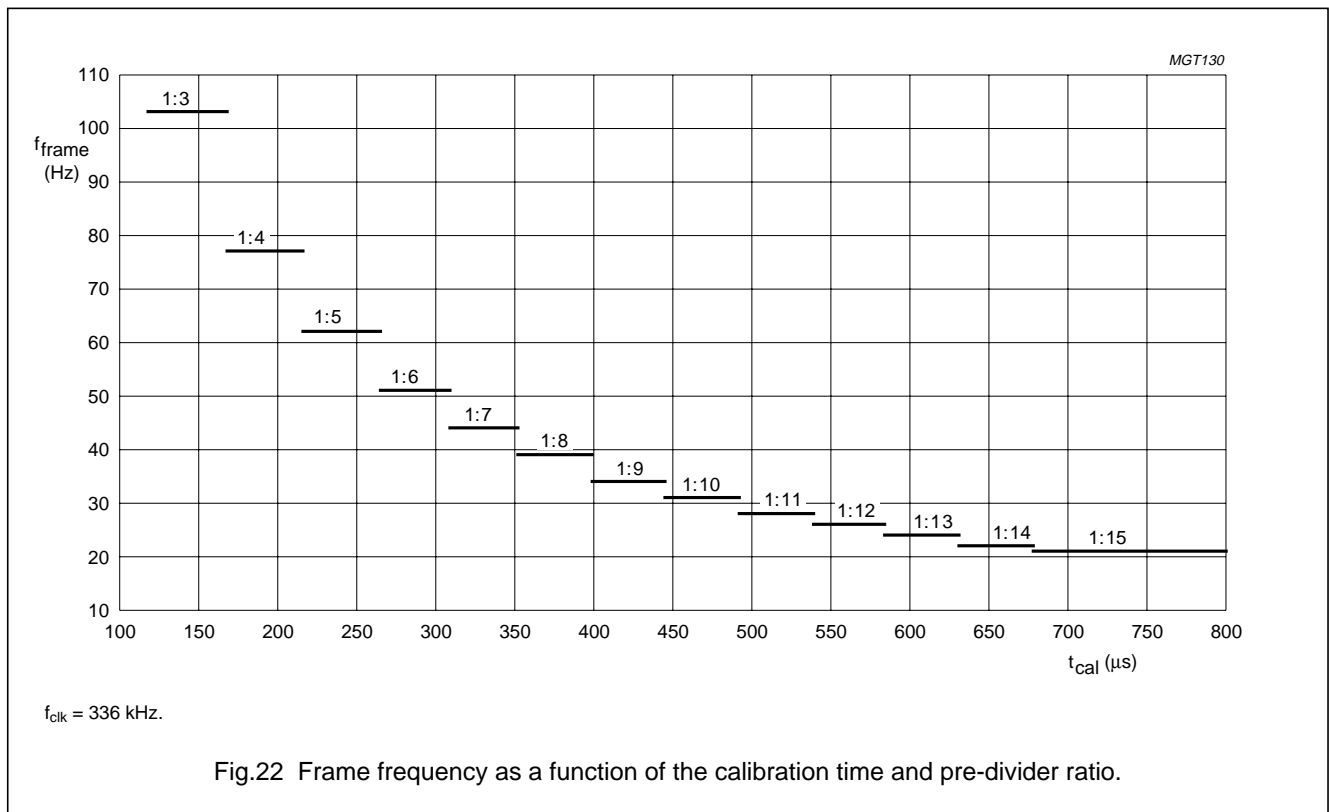
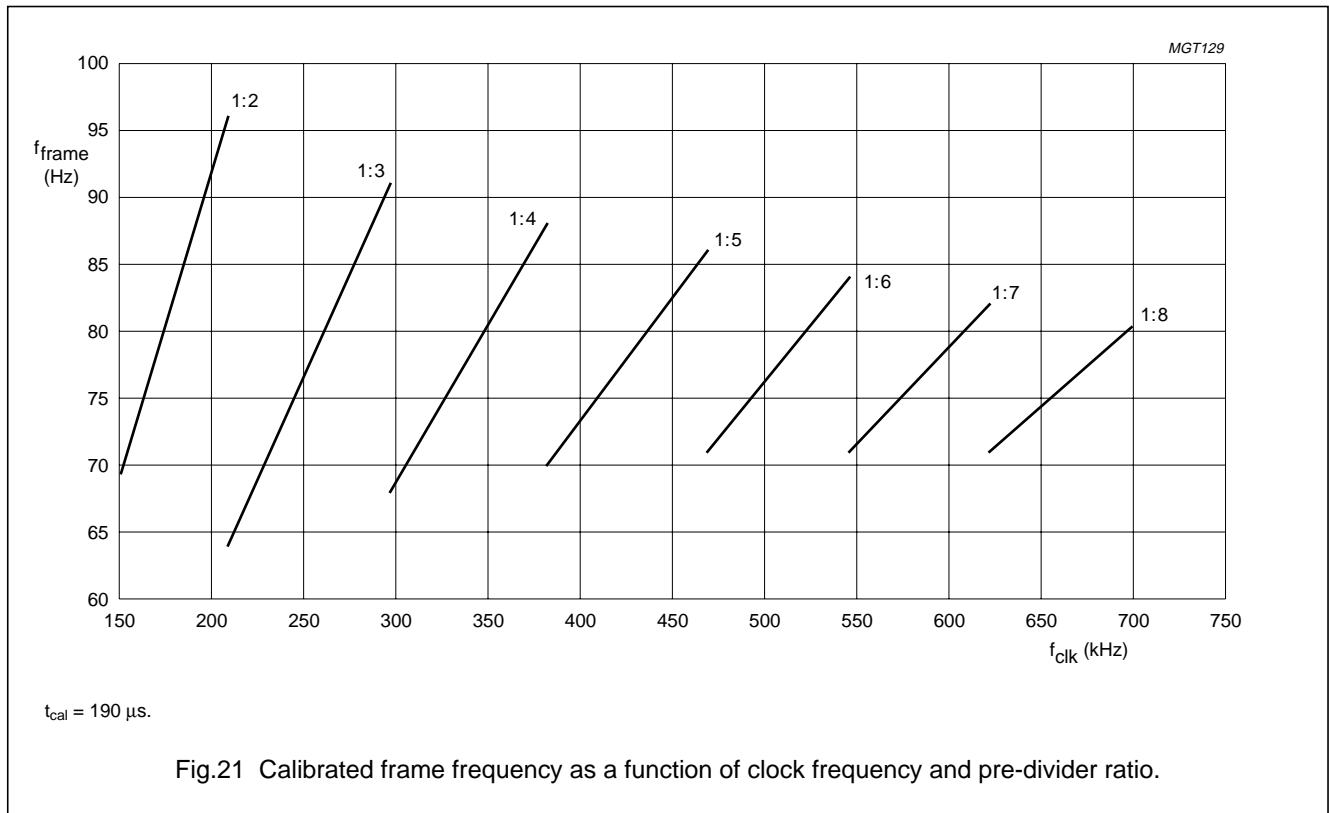
After V_{DD1} has reached its minimum value, the $\overline{\text{RES}}$ input level must be $\leq 0.3V_{DD1}$ after a maximum time t_{su} (see Fig.24).

After reset the state of the PCF8820 is as follows:

- Default values of bits and registers as seen in Table 3
- All row and column outputs are at V_{SS} (display off)
- V_{LCDOUT} is high-impedance
- RAM data is undefined.

67 × 101 Grey-scale/ECB colour dot matrix LCD driver

PCF8820



67 × 101 Grey-scale/ECB colour dot matrix LCD driver

PCF8820

9 LIMITING VALUES

In accordance with the Absolute Maximum Rating System (IEC 60134); note 1.

| SYMBOL | PARAMETER | MIN. | MAX. | UNIT |
|-------------|------------------------------|------|-------------------|------|
| V_{DD} | supply voltage | -0.5 | +6.5 | V |
| V_{LCDIN} | supply voltage for the LCD | -0.5 | +15 | V |
| V_n | voltage on | | | V |
| | any V_{LCD} related pin | -0.5 | $V_{LCDIN} + 0.5$ | V |
| | any other pin | -0.5 | $V_{DD1} + 0.5$ | V |
| I_I | DC input current | -10 | +10 | mA |
| I_O | DC output current | -10 | +10 | mA |
| I_{SS} | ground supply current | -50 | +50 | mA |
| P_{tot} | total power dissipation | - | 100 | mW |
| P/out | power dissipation per output | - | 10 | mW |
| T_{amb} | ambient temperature | -40 | +85 | °C |
| T_{stg} | storage temperature | -65 | +150 | °C |
| T_j | junction temperature | - | 150 | °C |

Note

- All voltages are referred to $V_{SS} = 0$ V. Stress above one or more of the limiting values may cause permanent damage to the device. These are stress ratings only and operation of the device at these or at any other conditions above those given in the Characteristics sections of the specification is not implied. Exposure to limiting values for extended periods may affect device reliability. Parameters are valid over operating temperature range unless otherwise specified.

10 HANDLING

Inputs and outputs are protected against electrostatic discharge in normal handling. However, it is good practice to take normal precautions appropriate to handling MOS devices (see "Handling MOS devices").

11 CHARACTERISTICS

$V_{DD1} = 2.5$ to 5.5 V; $V_{DD2} = V_{DD3} = 2.7$ to 5.5 V; $V_{SS1} = V_{SS2} = 0$ V; $V_{LCDIN} = 4.5$ to 14.5 V; $T_{amb} = -40$ to $+85$ °C; unless otherwise specified.

| SYMBOL | PARAMETER | CONDITIONS | MIN. | TYP. | MAX. | UNIT |
|-----------------|--|--------------------------------|----------|------|------|------|
| Supplies | | | | | | |
| V_{DD1} | supply voltage 1 of logic circuits | | 2.5 | - | 5.5 | V |
| V_{DD2} | supply voltage 2 of voltage multiplier | | 2.7 | - | 5.5 | V |
| V_{DD3} | supply voltage 3 of voltage multiplier | | 2.7 | - | 5.5 | V |
| V_{LCDIN} | supply voltage of LCD | graphic mode | 7.0 | - | 14.5 | V |
| | | partial screen mode; note 1 | V_{DD} | - | 14.5 | V |

**67 × 101 Grey-scale/ECB colour dot matrix
LCD driver**

PCF8820

| SYMBOL | PARAMETER | CONDITIONS | MIN. | TYP. | MAX. | UNIT |
|----------------------|---|---|------|------|------|------|
| I _{DD(tot)} | total supply current into pins V _{DD1} , V _{DD2} and V _{DD3} | Power-down mode; V _{LCDIN} = 8.6 V (external); notes 2 and 3 | – | 0.5 | 10 | μA |
| | | partial screen mode; V _{LCDIN} = 4.5 V (external); note 3 | – | 15 | 35 | μA |
| | | partial screen mode; V _{LCDIN} = 4.5 V (internal); LCD load is 10 μA; voltage multiplier factor 3; bias system = 1/6; notes 3 and 4 | – | 210 | 300 | μA |
| | | normal mode; V _{LCDIN} = 8.6 V (external); note 3 | – | 20 | 35 | μA |
| | | normal mode; V _{LCDIN} = 8.6 V (internal); LCD load is 10 μA; voltage multiplier factor 5; bias system = 1/9; notes 3 and 4 | – | 430 | 680 | μA |
| I _{LCDIN} | supply current of V _{LCDIN} | Power-down mode; V _{LCDIN} = 8.6 V (external); bias system = 1/9; V _{LCD} control value = 28H; bit PRS = 1; notes 3 and 5 | – | 6 | 15 | μA |
| | | partial screen mode; V _{LCDIN} = 4.5 V (external); LCD load is 10 μA; bias system = 1/6; V _{LCD} control value = 00H; bit PRS = 0; notes 3, 4 and 5 | – | 45 | 70 | μA |
| | | normal mode; V _{LCDIN} = 8.6 V (external); LCD load is 10 μA; bias system = 1/9; V _{LCD} control value = 5CH; bit PRS = 0; notes 3, 4 and 5 | – | 60 | 95 | μA |

67 × 101 Grey-scale/ECB colour dot matrix LCD driver

PCF8820

| SYMBOL | PARAMETER | CONDITIONS | MIN. | TYP. | MAX. | UNIT |
|--|--|---|------------------------|------------------------|------------------------|------------------|
| Logic inputs | | | | | | |
| PADS SA0, SA1, $\overline{\text{RES}}$, T1, T3, T4 and T5 | | | | | | |
| V_{IL} | LOW-level input voltage | | V_{SS1} | – | $0.3V_{\text{DD1}}$ | V |
| V_{IH} | HIGH-level input voltage | | $0.7V_{\text{DD1}}$ | – | V_{DD1} | V |
| I_{L} | leakage current | $V_{\text{I}} = V_{\text{DD1}}$ or V_{SS1} | –1 | – | +1 | μA |
| PAD OSC | | | | | | |
| V_{I} | LOW-level input voltage | | V_{SS1} | – | $V_{\text{SS1}} + 0.1$ | V |
| V_{I} | HIGH-level input voltage | | $V_{\text{DD1}} - 0.1$ | – | V_{DD1} | V |
| I_{L} | leakage current | $V_{\text{I}} = V_{\text{DD1}}$ or V_{SS1} | –1 | – | +1 | μA |
| I²C-bus | | | | | | |
| PADS SDA_IN and SCL | | | | | | |
| V_{IL} | LOW-level input voltage | | V_{SS1} | – | $0.3V_{\text{DD1}}$ | V |
| V_{IH} | HIGH-level input voltage | | $0.7V_{\text{DD1}}$ | – | 5.5 | V |
| I_{L} | leakage current | $V_{\text{I}} = V_{\text{DD1}}$ or V_{SS1} | –1 | – | +1 | μA |
| PAD SDA_OUT | | | | | | |
| I_{OL} | LOW-level output current | $V_{\text{OL}} = 0.4 \text{ V}; V_{\text{DD1}} = 5 \text{ V}$ | 3.0 | – | – | mA |
| I_{L} | leakage current | $V_{\text{I}} = V_{\text{DD1}}$ or V_{SS1} | –1 | – | +1 | μA |
| Column and row outputs | | | | | | |
| R_{col} | column output resistance C0 to C100 | $V_{\text{DD1}} = 5 \text{ V}; V_{\text{LCDIN}} = 12 \text{ V};$ $I_{\text{L}} = 100 \mu\text{A};$ outputs tested one at a time | – | – | 10 | $\text{k}\Omega$ |
| R_{row} | row output resistance R0 to R66 | $V_{\text{DD1}} = 5 \text{ V}; V_{\text{LCDIN}} = 12 \text{ V};$ $I_{\text{L}} = 100 \mu\text{A};$ outputs tested one at a time | – | – | 3.0 | $\text{k}\Omega$ |
| $V_{\text{bias(col)}}$ | bias voltage tolerance C0 to C100 | | –100 | 0 | +100 | mV |
| $V_{\text{bias(row)}}$ | bias voltage tolerance R0 to R66 | | –100 | 0 | +100 | mV |
| LCD supply voltage generator | | | | | | |
| STABILITY | | | | | | |
| ΔV_{LCDOUT} | tolerance of internally generated V_{LCDOUT} | $T_{\text{amb}} = -20 \text{ to } +85 \text{ }^\circ\text{C};$ $V_{\text{LCDOUT}} \leq 12 \text{ V}$ | – | – | 4.6 | % |
| TEMPERATURE COEFFICIENT OF V_{LCDOUT} ; $T_{\text{amb}} = -20 \text{ TO } +85 \text{ }^\circ\text{C}$ | | | | | | |
| TC_0 | temperature coefficient 0 | | – | -0.04×10^{-3} | – | K^{-1} |
| TC_1 | temperature coefficient 1 | | – | -1.89×10^{-3} | – | K^{-1} |
| TC_2 | temperature coefficient 2 | | – | -2.05×10^{-3} | – | K^{-1} |
| TC_3 | temperature coefficient 3 | | – | -2.22×10^{-3} | – | K^{-1} |
| TC_4 | temperature coefficient 4 | | – | -2.38×10^{-3} | – | K^{-1} |

67 × 101 Grey-scale/ECB colour dot matrix LCD driver

PCF8820

| SYMBOL | PARAMETER | CONDITIONS | MIN. | TYP. | MAX. | UNIT |
|-----------------------------|---------------------------|-------------------------------------|------|------------------------|------|-----------------|
| TC ₅ | temperature coefficient 5 | | – | -2.55×10^{-3} | – | K ⁻¹ |
| TC ₆ | temperature coefficient 6 | | – | -2.72×10^{-3} | – | K ⁻¹ |
| TC ₇ | temperature coefficient 7 | | – | -2.98×10^{-3} | – | K ⁻¹ |
| REFERENCE TEMPERATURE | | | | | | |
| T _{cp} | cut-point temperature | | – | 23 | – | °C |
| Temperature read-out | | | | | | |
| a | conversion constant | | – | 1.13 | – | °C/bit |
| a _{tol} | tolerance of a | same supply voltage V _{DD} | – | – | 10 | % |
| | | repeatability | – | – | 1 | bit |
| | | affect of changing V _{DD} | – | – | 0.5 | bit/V |

Notes

- The minimum value for V_{LCDIN} is limited by the supply voltages V_{DD1} and V_{DD2}:
 - For V_{DD1} ≤ 4.5 V and V_{DD2} ≤ 4.5 V: V_{LCDIN} > 4.5 V.
 - For V_{DD1} > 4.5 V or V_{DD2} > 4.5 V: V_{LCDIN} > highest value of V_{DD1} or V_{DD2}.
- All static currents are switched off in Power-down mode; no external clock.
- V_{DD1} = V_{DD2} = V_{DD3} = 2.75 V; LCD outputs are open-circuit; inputs connected to V_{DD1} or V_{SS1}; I²C-bus inactive; external clock with f_{ext} = 336 kHz; T_{amb} = 27 °C.
- The typical currents are measured on a sample base with the DDRAM and grey-scale registers loaded with data which would produce the display shown in Fig.23 if an LCD was connected. Extensive use of grey-scales will increase current consumption compared to black and white mode. If specified, the maximum current is tested with a regular pattern which is equivalent in current to the display shown in Fig.23.
- Voltage multiplier disabled; pins V_{LCDIN}, V_{LCDOUT} and V_{LCDSENSE} connected together.



MGT131

Fig.23 Display used to define DDRAM and grey-scales for current measurements.

67 × 101 Grey-scale/ECB colour dot matrix LCD driver

PCF8820

12 TIMING

$V_{DD1} = 2.5$ to 5.5 V; $V_{DD2} = V_{DD3} = 2.7$ to 5.5 V; $V_{SS1} = V_{SS2} = 0$ V; $V_{LCDIN} = 4.5$ to 14.5 V; $T_{amb} = -40$ °C to $+85$ °C; unless otherwise specified.

| SYMBOL | PARAMETER | CONDITIONS | MIN. | TYP. | MAX. | UNIT |
|--|---|--|----------------|------|------|---------|
| Clock signal | | | | | | |
| f_{frame} | LCD frame frequency | not calibrated; note 1 | 44 | 77 | 158 | Hz |
| $f_{frame(cal1)}$ | LCD frame frequency | calibrated; accurate calibration timing of 190 μ s; note 2 | 68 | 77 | 91 | Hz |
| $f_{frame(cal2)}$ | LCD frame frequency | calibrated; accurate calibration timing of 190 μ s | 63 | 77 | 96 | Hz |
| f_{osc} | oscillator frequency | not calibrated; note 3 | 190 | 336 | 670 | kHz |
| PAD OSC | | | | | | |
| f_{ext} | external clock frequency | not calibrated | 190 | 336 | 670 | kHz |
| Reset timing; see Fig.24 | | | | | | |
| PAD RES | | | | | | |
| t_{WL} | reset pulse width LOW | | 1.0 | – | – | μ s |
| t_{WH} | reset pulse width HIGH | | 1.5 | – | – | μ s |
| $t_{W(spikes)}$ | tolerable spike width on \overline{RES} input | | – | – | 10 | ns |
| t_{su} | reset-LOW pulse set-up time after power-on | $V_{DD} = 2.75$ V; note 4 | – | – | 30 | μ s |
| t_{oper} | end of reset to interface being operational | | – | – | 3 | μ s |
| LCD on and off timing; see Fig.25 | | | | | | |
| PAD V_{LCDIN} | | | | | | |
| $t_{LCD(on)}$ | external LCD turn-on time | after V_{DD1} turns on | 1 | – | – | ms |
| $t_{LCD(off)}$ | external LCD turn-off time | before V_{DD1} turns off | 1 | – | – | ms |
| I²C-bus timing; see Fig.26; note 5 | | | | | | |
| PADS SCL and SDA | | | | | | |
| f_{SCL} | SCL clock frequency | | 0 | – | 400 | kHz |
| t_{LOW} | SCL LOW time | | 1.3 | – | – | μ s |
| t_{HIGH} | SCL HIGH time | | 0.6 | – | – | μ s |
| $t_{SU;DAT}$ | data set-up time | | 100 | – | – | ns |
| $t_{HD;DAT}$ | data hold time | | 0 | – | 0.9 | μ s |
| t_r | rise time SDA and SCL | note 6 | $20 + 0.1 C_b$ | – | 300 | ns |
| t_f | fall time SDA and SCL | note 6 | $20 + 0.1 C_b$ | – | 300 | ns |
| C_b | capacitive load represented by each bus line | | – | – | 400 | pF |
| $t_{SU;STA}$ | set-up time repeated START | | 0.6 | – | – | μ s |
| $t_{HD;STA}$ | hold time START condition | | 0.6 | – | – | μ s |

67 × 101 Grey-scale/ECB colour dot matrix
LCD driver

PCF8820

| SYMBOL | PARAMETER | CONDITIONS | MIN. | TYP. | MAX. | UNIT |
|-----------------------|--------------------------------|------------|------|------|------|------|
| t _{SU;STO} | set-up time for STOP condition | | 0.6 | – | – | µs |
| t _{W(spike)} | tolerable spike width on bus | | – | – | 50 | ns |
| t _{BUF} | BUS free time | | 1.3 | – | – | µs |

Notes

1. Frame frequency: $f_{\text{frame}} = \frac{f_{\text{ext}}}{4352}$ or $f_{\text{frame}} = \frac{f_{\text{osc}}}{4352}$
2. V_{DD} unchanged after frequency calibration.
3. Not available at any pad.
4. Decoupling capacitor between V_{LCDIN} and V_{SS1} is 100 nF. A higher capacitance increases t_{su} and a higher V_{DD1}, V_{DD2} or V_{DD3} reduces t_{su}.
5. All timing values are valid within V_{DD1}, V_{DD2}, V_{DD3} and T_{amb} ranges and are referenced to V_{IL} and V_{IH} with an input voltage swing from V_{SS1} to V_{DD1}.
6. C_b is the total capacitance (in pF) of one bus line.

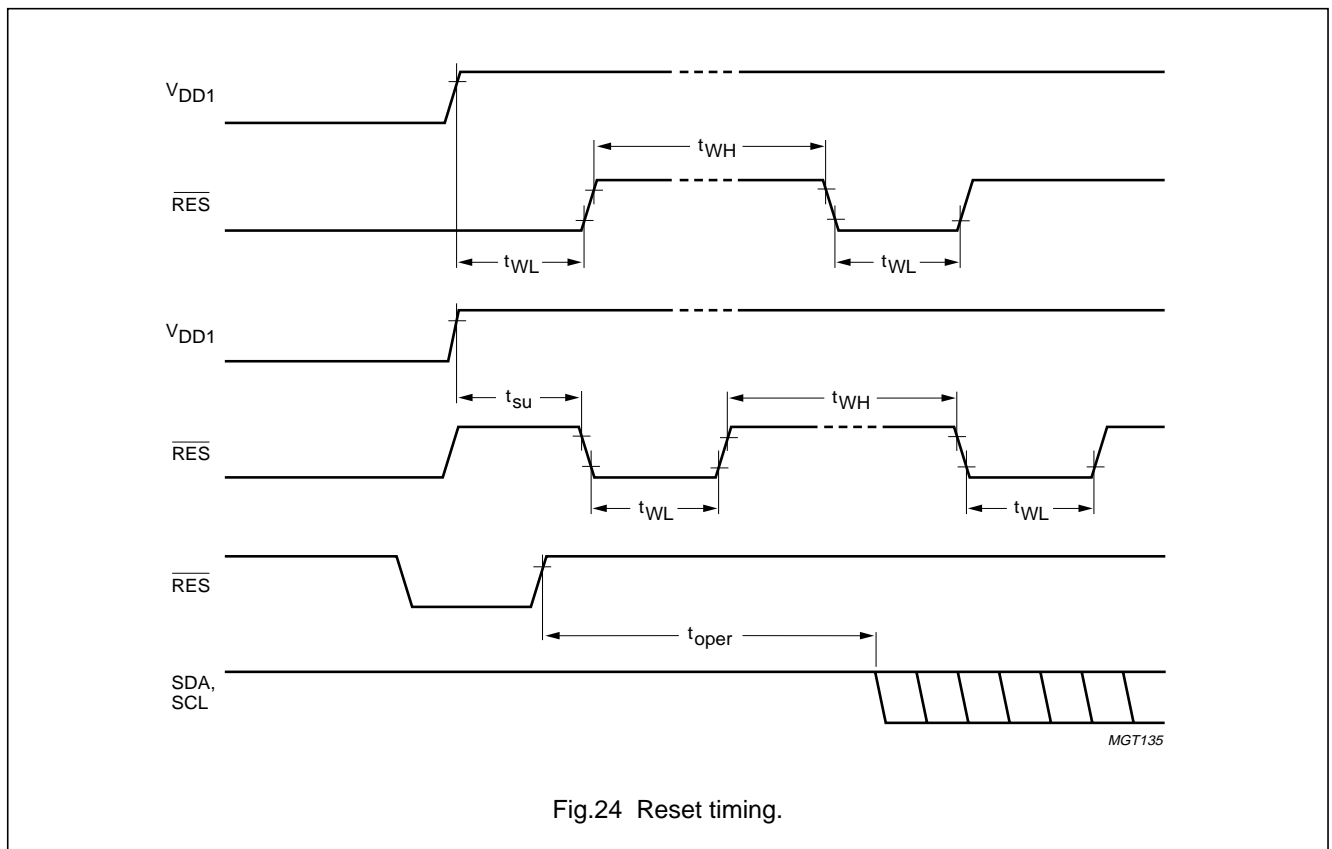


Fig.24 Reset timing.

67 × 101 Grey-scale/ECB colour dot matrix
LCD driver

PCF8820

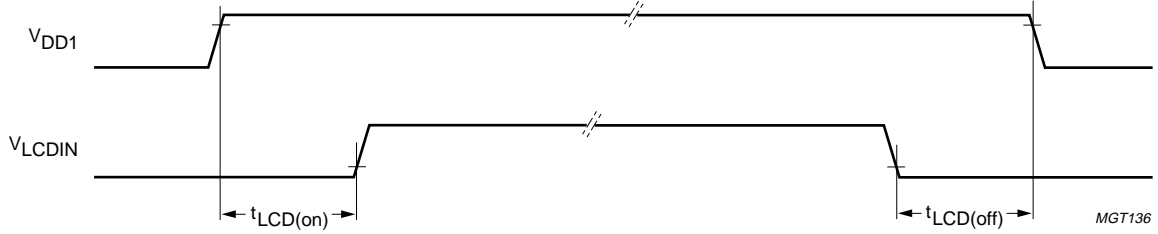


Fig.25 Timing diagram of applying and removing the external LCD supply voltage to and from pad V_{LCDIN} .

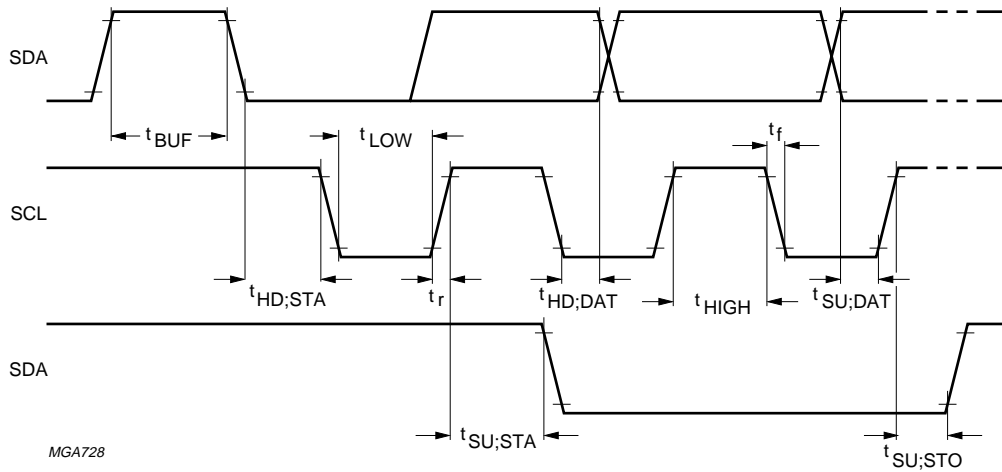


Fig.26 I²C-bus timing.

67 × 101 Grey-scale/ECB colour dot matrix LCD driver

PCF8820

13 APPLICATION INFORMATION

13.1 Programming example for the PCF8820

It should be noted that only a part of the LCD is shown in the LCD column of Table 9.

Table 9 Programming example

| STEP | SERIAL BUS BYTE | | | | | | | | LCD | OPERATION |
|------|-----------------|-----|-----|-----|-----|-----|-----|-----|-----|---|
| | DB7 | DB6 | DB5 | DB4 | DB3 | DB2 | DB1 | DB0 | | |
| 1 | 0 | 1 | 1 | 1 | 1 | SA1 | SA0 | 0 | | start slave address, R/W = 0 |
| 2 | 1 | 0 | 0 | 0 | 0 | 0 | 0 | 0 | | control byte: Co = 1, RS = 0 |
| 3 | 0 | 0 | 0 | 0 | 0 | 0 | 0 | 1 | | H ₂ to H ₀ independent command: select function and RAM command page (H ₂ to H ₀ = 000) |
| 4 | 1 | 0 | 0 | 0 | 0 | 0 | 0 | 0 | | control byte: Co = 1, RS = 0 |
| 5 | 0 | 0 | 0 | 0 | 1 | 0 | 0 | 1 | | function and RAM command page: select display setting command page (H ₂ to H ₀ = 001) |
| 6 | 1 | 0 | 0 | 0 | 0 | 0 | 0 | 0 | | control byte: Co = 1, RS = 0 |
| 7 | 0 | 0 | 0 | 0 | 0 | 1 | 1 | 0 | | display setting command page: set normal display mode (D = 1, E = 0) |
| 8 | 1 | 0 | 0 | 0 | 0 | 0 | 0 | 0 | | control byte: Co = 1, RS = 0 |
| 9 | 0 | 0 | 0 | 1 | 0 | 0 | 1 | 0 | | display setting command page: set bias system = 1/9 (BS ₂ to BS ₀ = 010) |
| 10 | 1 | 0 | 0 | 0 | 0 | 0 | 0 | 0 | | control byte: Co = 1, RS = 0 |
| 11 | 0 | 1 | 0 | 0 | 0 | 0 | 0 | 0 | | display setting command page: select first 8 rows for partial screen mode (DP ₂ to DP ₀ = 000) |
| 12 | 1 | 0 | 0 | 0 | 0 | 0 | 0 | 0 | | control byte: Co = 1, RS = 0 |
| 13 | 0 | 0 | 0 | 0 | 0 | 0 | 0 | 1 | | H ₂ to H ₀ independent command: select function and RAM command page (H ₂ to H ₀ = 000) |
| 14 | 1 | 0 | 0 | 0 | 0 | 0 | 0 | 0 | | control byte: Co = 1, RS = 0 |
| 15 | 0 | 0 | 0 | 1 | 0 | 1 | 1 | 0 | | function and RAM command page: select Power-down mode (PD = 1) and vertical address mode (V = 1) |
| 16 | 1 | 0 | 0 | 0 | 0 | 0 | 0 | 0 | | control byte: Co = 1, RS = 0 |
| 17 | 0 | 0 | 0 | 0 | 1 | 1 | 0 | 0 | | function and RAM command page: select special feature command page (H ₂ to H ₀ = 100) |
| 18 | 1 | 0 | 0 | 0 | 0 | 0 | 0 | 0 | | control byte: Co = 1, RS = 0 |
| 19 | 0 | 0 | 0 | 0 | 0 | 1 | 0 | 1 | | special feature command page: enable display (DOF = 0) and enable direct drive (DM = 1) to pre-charge the charge pump |
| 20 | 1 | 0 | 0 | 0 | 0 | 0 | 0 | 0 | | control byte: Co = 1, RS = 0 |

**67 × 101 Grey-scale/ECB colour dot matrix
LCD driver**

PCF8820

| STEP | SERIAL BUS BYTE | | | | | | | | LCD | OPERATION |
|------|-----------------|-----|-----|-----|-----|-----|-----|-----|-----|---|
| | DB7 | DB6 | DB5 | DB4 | DB3 | DB2 | DB1 | DB0 | | |
| 21 | 0 | 0 | 0 | 0 | 0 | 0 | 0 | 1 | | H ₂ to H ₀ independent command: select function and RAM command page (H ₂ to H ₀ = 000) |
| 22 | 1 | 0 | 0 | 0 | 0 | 0 | 0 | 0 | | control byte: Co = 1, RS = 0 |
| 23 | 0 | 0 | 0 | 0 | 1 | 0 | 1 | 0 | | function and RAM command page: select HVGen command page (H ₂ to H ₀ = 010) |
| 24 | 1 | 0 | 0 | 0 | 0 | 0 | 0 | 0 | | control byte: Co = 1, RS = 0 |
| 25 | 0 | 0 | 0 | 0 | 1 | 0 | 0 | 0 | | HVGen command page: select voltage multiplier factor 2× (S ₂ to S ₀ = 000) |
| 26 | 1 | 0 | 0 | 0 | 0 | 0 | 0 | 0 | | control byte: Co = 1, RS = 0 |
| 27 | 0 | 0 | 0 | 1 | 0 | 0 | 1 | 0 | | HVGen command page: select temperature coefficient 2 (TC ₂ to TC ₀ = 010) |
| 28 | 1 | 0 | 0 | 0 | 0 | 0 | 0 | 0 | | control byte: Co = 1, RS = 0 |
| 29 | 0 | 0 | 0 | 0 | 0 | 1 | 0 | 0 | | HVGen command page: select LOW V _{LCD} programming range (PRS = 0), HVGen off (HVE = 0) |
| 30 | 1 | 0 | 0 | 0 | 0 | 0 | 0 | 0 | | control byte: Co = 1, RS = 0 |
| 31 | 1 | 1 | 0 | 1 | 1 | 0 | 1 | 1 | | HVGen command page: set V _{LCD} to 8.595 V (V _{OP6} to V _{OP0} = 1011011) |
| 32 | 1 | 0 | 0 | 0 | 0 | 0 | 0 | 0 | | control byte: Co = 1, RS = 0 |
| 33 | 0 | 0 | 0 | 0 | 0 | 0 | 0 | 1 | | H ₂ to H ₀ independent command: select function and RAM command page (H ₂ to H ₀ = 000) |
| 34 | 1 | 0 | 0 | 0 | 0 | 0 | 0 | 0 | | control byte: Co = 1, RS = 0 |
| 35 | 0 | 0 | 0 | 0 | 1 | 0 | 1 | 1 | | function and RAM command page: select grey-scale/colour command page (H ₂ to H ₀ = 011) |
| 36 | 1 | 0 | 0 | 0 | 0 | 0 | 0 | 0 | | control byte: Co = 1, RS = 0 |
| 37 | 0 | 1 | 0 | 0 | 0 | 0 | 0 | 0 | | grey-scale/colour command page: select grey-scale register 0 (GR ₁ to GR ₀ = 00) |
| 38 | 1 | 0 | 0 | 0 | 0 | 0 | 0 | 0 | | control byte: Co = 1, RS = 0 |
| 39 | 1 | 0 | 0 | 0 | 0 | 0 | 0 | 0 | | grey-scale/colour command page: set grey-scale to 0 (GS ₅ to GS ₀ = 000000) |
| 40 | 1 | 0 | 0 | 0 | 0 | 0 | 0 | 0 | | control byte: Co = 1, RS = 0 |
| 41 | 0 | 1 | 0 | 0 | 0 | 0 | 0 | 1 | | grey-scale/colour command page: select grey-scale register 1 (GR ₁ to GR ₀ = 01) |
| 42 | 1 | 0 | 0 | 0 | 0 | 0 | 0 | 0 | | control byte: Co = 1, RS = 0 |

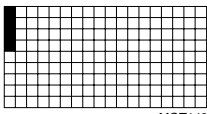
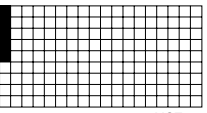
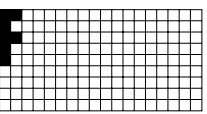
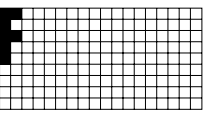
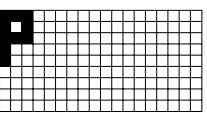
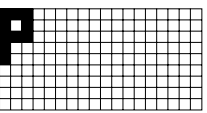
67 × 101 Grey-scale/ECB colour dot matrix
LCD driver

PCF8820

| STEP | SERIAL BUS BYTE | | | | | | | | LCD | OPERATION |
|------|-----------------|-----|-----|-----|-----|-----|-----|-----|-----|---|
| | DB7 | DB6 | DB5 | DB4 | DB3 | DB2 | DB1 | DB0 | | |
| 43 | 1 | 0 | 0 | 1 | 0 | 1 | 0 | 0 | | grey-scale/colour command page: set grey-scale to 20 (GS ₅ to GS ₀ = 010100) |
| 44 | 1 | 0 | 0 | 0 | 0 | 0 | 0 | 0 | | control byte: Co = 1, RS = 0 |
| 45 | 0 | 1 | 0 | 0 | 0 | 0 | 1 | 0 | | grey-scale/colour command page: select grey-scale register 2 (GR ₁ to GR ₀ = 10) |
| 46 | 1 | 0 | 0 | 0 | 0 | 0 | 0 | 0 | | control byte: Co = 1, RS = 0 |
| 47 | 1 | 0 | 1 | 0 | 1 | 0 | 0 | 0 | | grey-scale/colour command page: set grey-scale register 2 to 40 (GS ₅ to GS ₀ = 101000) |
| 48 | 1 | 0 | 0 | 0 | 0 | 0 | 0 | 0 | | control byte: Co = 1, RS = 0 |
| 49 | 0 | 1 | 0 | 0 | 0 | 0 | 1 | 1 | | grey-scale/colour command page: select grey-scale register 3 (GR ₁ to GR ₀ = 11) |
| 50 | 1 | 0 | 0 | 0 | 0 | 0 | 0 | 0 | | control byte: Co = 1, RS = 0 |
| 51 | 1 | 0 | 1 | 1 | 1 | 1 | 1 | 1 | | grey-scale/colour command page: set grey-scale register 3 to 63 (GS ₅ to GS ₀ = 111111) |
| 52 | 1 | 0 | 0 | 0 | 0 | 0 | 0 | 0 | | control byte: Co = 1, RS = 0 |
| 53 | 0 | 0 | 0 | 0 | 0 | 0 | 0 | 1 | | H ₂ to H ₀ independent command: select function and RAM command page (H ₂ to H ₀ = 000) |
| 54 | 1 | 0 | 0 | 0 | 0 | 0 | 0 | 0 | | control byte: Co = 1, RS = 0 |
| 55 | 0 | 0 | 0 | 0 | 1 | 0 | 1 | 0 | | function and RAM command page: select HVGen command page (H ₂ to H ₀ = 010) |
| 56 | 1 | 0 | 0 | 0 | 0 | 0 | 0 | 0 | | control byte: Co = 1, RS = 0 |
| 57 | 0 | 0 | 0 | 0 | 0 | 1 | 0 | 1 | | HVGen command page: enable HVGen (HVE = 1) and select LOW V _{LCD} programming range (PRS = 0) |
| 58 | 1 | 0 | 0 | 0 | 0 | 0 | 0 | 0 | | control byte: Co = 1, RS = 0 |
| 59 | 0 | 0 | 0 | 0 | 0 | 0 | 0 | 1 | | H ₂ to H ₀ independent command: select function and RAM command page (H ₂ to H ₀ = 000) |
| 60 | 1 | 0 | 0 | 0 | 0 | 0 | 0 | 0 | | control byte: Co = 1, RS = 0 |
| 61 | 0 | 0 | 0 | 1 | 0 | 0 | 1 | 0 | | function and RAM command page: select normal operation (PD = 0) and vertical address mode (V = 1) |
| 62 | 1 | 0 | 0 | 0 | 0 | 0 | 0 | 0 | | control byte: Co = 1, RS = 0 |
| 63 | 0 | 0 | 0 | 0 | 1 | 0 | 1 | 0 | | function and RAM command page: select HVGen command page (H ₂ to H ₀ = 010) |

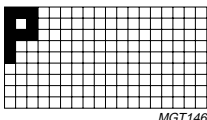
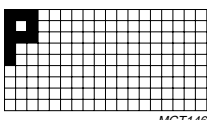
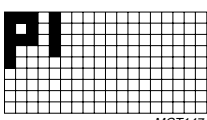
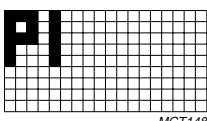
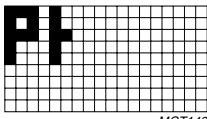
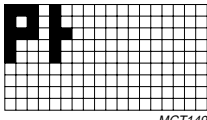
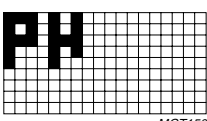
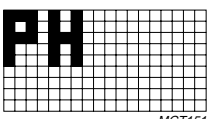
67 × 101 Grey-scale/ECB colour dot matrix LCD driver

PCF8820

| STEP | SERIAL BUS BYTE | | | | | | | | LCD | OPERATION |
|------------|-----------------|-----|-----|-----|-----|-----|-----|-----|---|--|
| | DB7 | DB6 | DB5 | DB4 | DB3 | DB2 | DB1 | DB0 | | |
| 64 | 1 | 0 | 0 | 0 | 0 | 0 | 0 | 0 | | control byte: Co = 1, RS = 0 |
| 65 | 0 | 0 | 0 | 0 | 1 | 0 | 0 | 1 | | HVGen command page: select voltage multiplier factor 3× (S ₂ to S ₀ = 001, incremented to 3x) |
| 66 | 1 | 0 | 0 | 0 | 0 | 0 | 0 | 0 | | control byte: Co = 1, RS = 0 |
| 67 | 0 | 0 | 0 | 0 | 1 | 0 | 1 | 0 | | HVGen command page: select voltage multiplier factor 4 (S ₂ to S ₀ = 010) |
| 68 | 1 | 0 | 0 | 0 | 0 | 0 | 0 | 0 | | control byte: Co = 1, RS = 0 |
| 69 | 0 | 0 | 0 | 0 | 1 | 0 | 1 | 1 | | HVGen command page: select voltage multiplier factor 5 (S ₂ to S ₀ = 011, incremented to 5x) |
| 70 | 0 | 1 | 0 | 0 | 0 | 0 | 0 | 0 | | control byte: Co = 0, RS = 1 |
| 71 | 1 | 1 | 1 | 1 | 1 | 1 | 1 | 1 |  <small>MGT143</small> | data write column 0 (vertical addressing): address X and Y are initialized to 0 by default, so they are not set here |
| 72 | 0 | 0 | 0 | 0 | 0 | 0 | 1 | 1 |  <small>MGT144</small> | data write: next write to subsequent rows filling up column 0 with '00H' |
| 73 to 89 | 0 | 0 | 0 | 0 | 0 | 0 | 0 | 0 | no display change | data writes (17 bytes) |
| 90 | 0 | 0 | 1 | 1 | 0 | 0 | 1 | 1 |  <small>MGT145</small> | data write column 1 (vertical addressing) |
| 91 | 0 | 0 | 0 | 0 | 0 | 0 | 0 | 0 |  <small>MGT145</small> | data write |
| 92 to 108 | 0 | 0 | 0 | 0 | 0 | 0 | 0 | 0 | no display change | data writes (17 bytes) |
| 109 | 0 | 0 | 1 | 1 | 1 | 1 | 1 | 1 |  <small>MGT146</small> | data write column 2 (vertical addressing) |
| 110 | 0 | 0 | 0 | 0 | 0 | 0 | 0 | 0 |  <small>MGT146</small> | data write |
| 111 to 127 | 0 | 0 | 0 | 0 | 0 | 0 | 0 | 0 | no display change | data writes (17 bytes) |




67 × 101 Grey-scale/ECB colour dot matrix LCD driver

PCF8820

| STEP | SERIAL BUS BYTE | | | | | | | | LCD | OPERATION |
|------------|-----------------|-----|-----|-----|-----|-----|-----|-----|---|---|
| | DB7 | DB6 | DB5 | DB4 | DB3 | DB2 | DB1 | DB0 | | |
| 128 | 0 | 0 | 0 | 0 | 0 | 0 | 0 | 0 |  <small>MGT146</small> | data write column 3 (vertical addressing) |
| 129 | 0 | 0 | 0 | 0 | 0 | 0 | 0 | 0 |  <small>MGT146</small> | data write |
| 130 to 146 | 0 | 0 | 0 | 0 | 0 | 0 | 0 | 0 | no display change | data writes (17 bytes) |
| 147 | 1 | 1 | 1 | 1 | 1 | 1 | 1 | 1 |  <small>MGT147</small> | data write column 4 (vertical addressing) |
| 148 | 0 | 0 | 0 | 0 | 0 | 0 | 1 | 1 |  <small>MGT148</small> | data write |
| 149 to 165 | 0 | 0 | 0 | 0 | 0 | 0 | 0 | 0 | no display change | data writes (17 bytes) |
| 166 | 0 | 0 | 1 | 1 | 0 | 0 | 0 | 0 |  <small>MGT149</small> | data write column 5 (vertical addressing) |
| 167 | 0 | 0 | 0 | 0 | 0 | 0 | 0 | 0 |  <small>MGT149</small> | data write |
| 168 to 184 | 0 | 0 | 0 | 0 | 0 | 0 | 0 | 0 | no display change | data writes (17 bytes) |
| 185 | 1 | 1 | 1 | 1 | 1 | 1 | 1 | 1 |  <small>MGT150</small> | data write column 6 (vertical addressing) |
| 186 | 0 | 0 | 0 | 0 | 0 | 0 | 1 | 1 |  <small>MGT151</small> | data write: last data; stop transmission |
| 187 | 0 | 1 | 1 | 1 | 1 | SA1 | SA0 | 0 | no display change | restart, slave address, R/W = 0 |
| 188 | 1 | 0 | 0 | 0 | 0 | 0 | 0 | 0 | no display change | control byte: Co = 1, RS = 0 |
| 189 | 0 | 0 | 0 | 0 | 0 | 0 | 0 | 1 | no display change | H ₂ to H ₀ independent command: select function and RAM command page (H ₂ to H ₀ = 000) |

67 × 101 Grey-scale/ECB colour dot matrix
LCD driver

PCF8820





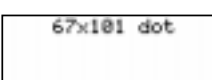
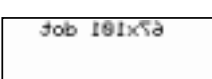

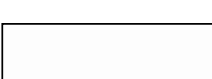

| STEP | SERIAL BUS BYTE | | | | | | | | LCD | OPERATION |
|------|-----------------|-----|-----|-----|-----|-----|-----|-----|--|---|
| | DB7 | DB6 | DB5 | DB4 | DB3 | DB2 | DB1 | DB0 | | |
| 190 | 1 | 0 | 0 | 0 | 0 | 0 | 0 | 0 | no display change | control byte: Co = 1, RS = 0 |
| 191 | 0 | 0 | 0 | 0 | 1 | 0 | 0 | 1 | no display change | function and RAM command page: select display setting command page (H ₂ to H ₀ = 001) |
| 192 | 1 | 0 | 0 | 0 | 0 | 0 | 0 | 0 | no display change | control byte: Co = 1, RS = 0 |
| 193 | 0 | 0 | 0 | 0 | 0 | 1 | 1 | 1 |  | display mode: set inverse video mode (D = 1, E = 1) |
| 194 | 1 | 0 | 0 | 0 | 0 | 0 | 0 | 0 | no display change | control byte: Co = 1, RS = 0 |
| 195 | 0 | 0 | 0 | 0 | 0 | 0 | 0 | 1 | no display change | H ₂ to H ₀ independent command: select function and RAM command page (H ₂ to H ₀ = 000) |
| 196 | 1 | 0 | 0 | 0 | 0 | 0 | 0 | 0 | no display change | control byte: Co = 1, RS = 0 |
| 197 | 1 | 0 | 0 | 0 | 0 | 0 | 0 | 0 | no display change | set X address of RAM to '000000' |
| 198 | 1 | 0 | 0 | 0 | 0 | 0 | 0 | 0 | no display change | control byte: Co = 1, RS = 0 |
| 199 | 0 | 1 | 0 | 0 | 0 | 0 | 0 | 0 | no display change | set Y address of RAM to '00000' |
| 200 | 0 | 1 | 0 | 0 | 0 | 0 | 0 | 0 | no display change | control byte: Co = 0, RS = 1 |
| 201 | 0 | 1 | 0 | 1 | 0 | 1 | 0 | 1 |  | data write column 1 (vertical addressing mode) |
| 202 | 0 | 0 | 0 | 0 | 0 | 0 | 0 | 1 |  | data write: last data; stop transmission |

67 × 101 Grey-scale/ECB colour dot matrix
LCD driver

PCF8820

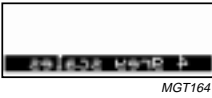
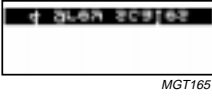
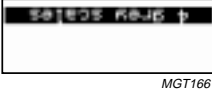
13.2 Examples of effects on the display

Table 10 Examples showing the effects on the LCD of setting bits PS, DP₂ to DP₀, MX and MY

| EXAMPLE | PS | DP ₂ | DP ₁ | DP ₀ | MX | MY | DISPLAY | DESCRIPTION |
|---------|----|-----------------|-----------------|-----------------|----|----|--|--|
| 1 | 0 | X | X | X | 0 | 0 |  <small>MGT155</small> | normal display |
| 2 | 0 | X | X | X | 1 | 0 |  <small>MGT156</small> | X mirrored only |
| 3 | 0 | X | X | X | 0 | 1 |  <small>MGT157</small> | Y mirrored only |
| 4 | 0 | X | X | X | 1 | 1 |  <small>MGT158</small> | X and Y mirrored |
| 5 | 1 | 0 | 0 | 0 | 0 | 0 |  <small>MGT159</small> | partial screen mode only; first 8 rows selected |
| 6 | 1 | 0 | 0 | 0 | 1 | 0 |  <small>MGT160</small> | partial screen mode; X mirrored; first 8 rows selected |
| 7 | 1 | 0 | 0 | 0 | 0 | 1 |  <small>MGT161</small> | partial screen mode; Y mirrored; first 8 rows selected |
| 8 | 1 | 0 | 0 | 0 | 1 | 1 |  <small>MGT162</small> | partial screen mode; X and Y mirrored; first 8 rows selected |
| 9 | 1 | 1 | 1 | 1 | 0 | 0 |  <small>MGT163</small> | partial screen mode; last 8 rows selected |

67 × 101 Grey-scale/ECB colour dot matrix
LCD driver

PCF8820

| EXAMPLE | PS | DP ₂ | DP ₁ | DP ₀ | MX | MY | DISPLAY | DESCRIPTION |
|---------|----|-----------------|-----------------|-----------------|----|----|---|---|
| 10 | 1 | 1 | 1 | 1 | 1 | 0 |  | partial screen mode; X mirrored; last 8 rows selected |
| 11 | 1 | 1 | 1 | 1 | 0 | 1 |  | partial screen mode; Y mirrored; last 8 rows selected |
| 12 | 1 | 1 | 1 | 1 | 1 | 1 |  | partial screen mode; X and Y mirrored; last 8 rows selected |

67 × 101 Grey-scale/ECB colour dot matrix LCD driver

PCF8820

13.3 High voltage generator

The high voltage generator contains a voltage multiplier which uses a charge pump circuit supplied by V_{DD2} and V_{DD3} . The multiplier is software programmable with a factor from 2 to 8. In the direct drive mode the output voltage $V_{LCDOUT} = V_{DD2}$.

When the charge pump is used the total supply current of the PCF8820 at a supply voltage of 3, 4 and 5 V is shown in Figs 27, 28 and 29.

The separate graphs are shown for each voltage multiplier factor with the following conditions:

- At T_{amb}
- V_{DD1} , V_{DD2} and V_{DD3} connected to the same power supply
- Supply line resistors of 50 Ω (typical value)
- Internal clock not calibrated
- No LCD connected to the PCF8820
- All pixels defined at grey-scale level 32; this is the worst case
- Bias system $\frac{1}{9}$
- Full screen mode (bit PS = 0) at a multiplex rate of 1 : 67
- Normal display mode.

The characteristics shown for each voltage multiplier factor are terminated before V_{LCDOUT} has been reached the maximum value to indicate that the voltage cannot be increased any further. If a higher voltage is required, a higher voltage multiplier factor must be selected.

Connecting a LCD may increase the current into pad V_{LCDIN} which may affect the current taken by the charge pump and also its efficiency. The amount of current load may depend on the type of LCD used.

It is advisable to evaluate the PCF8820 connected to the desired LCD and set to the required mode(s) to produce characteristics similar to Figs 27, 28 and 29. The customer can then use these graphs to select the most efficient and safe voltage multiplier factor for each mode required.

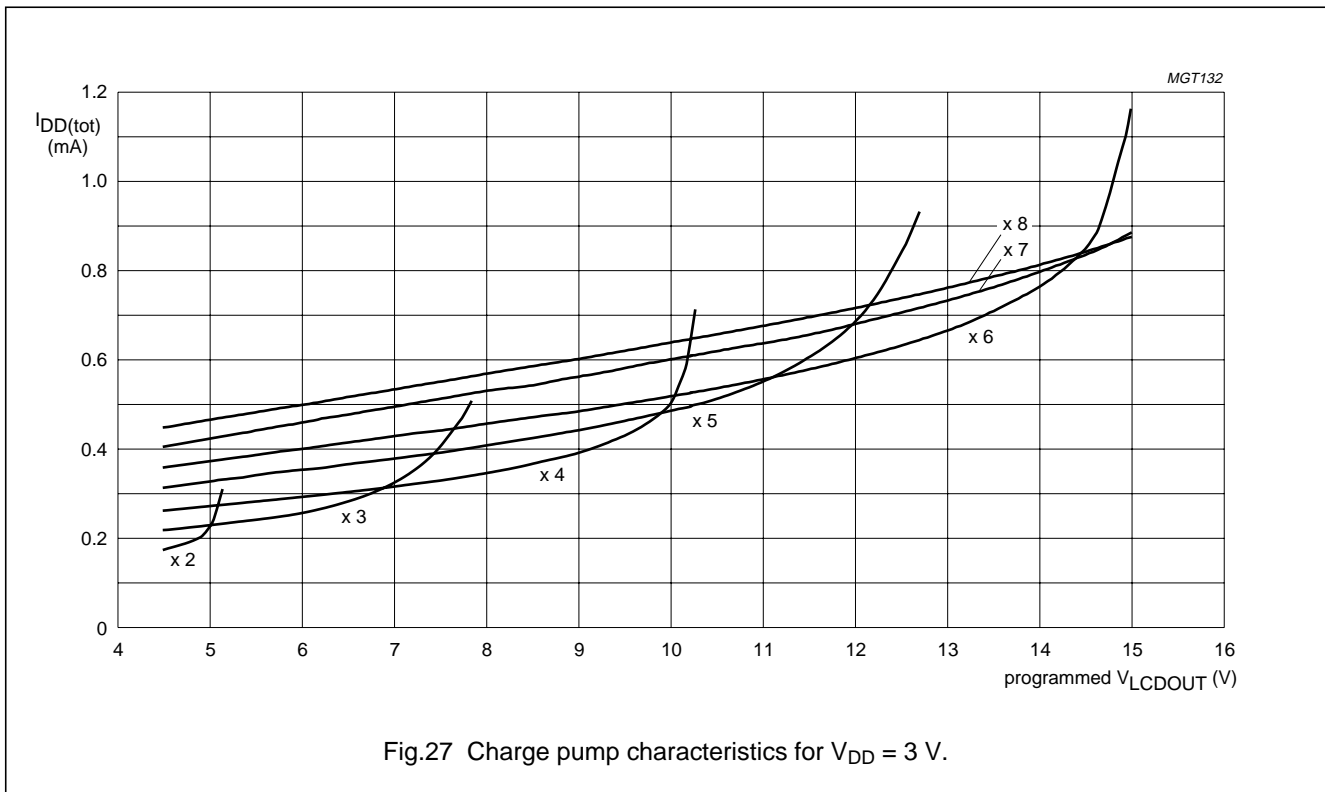
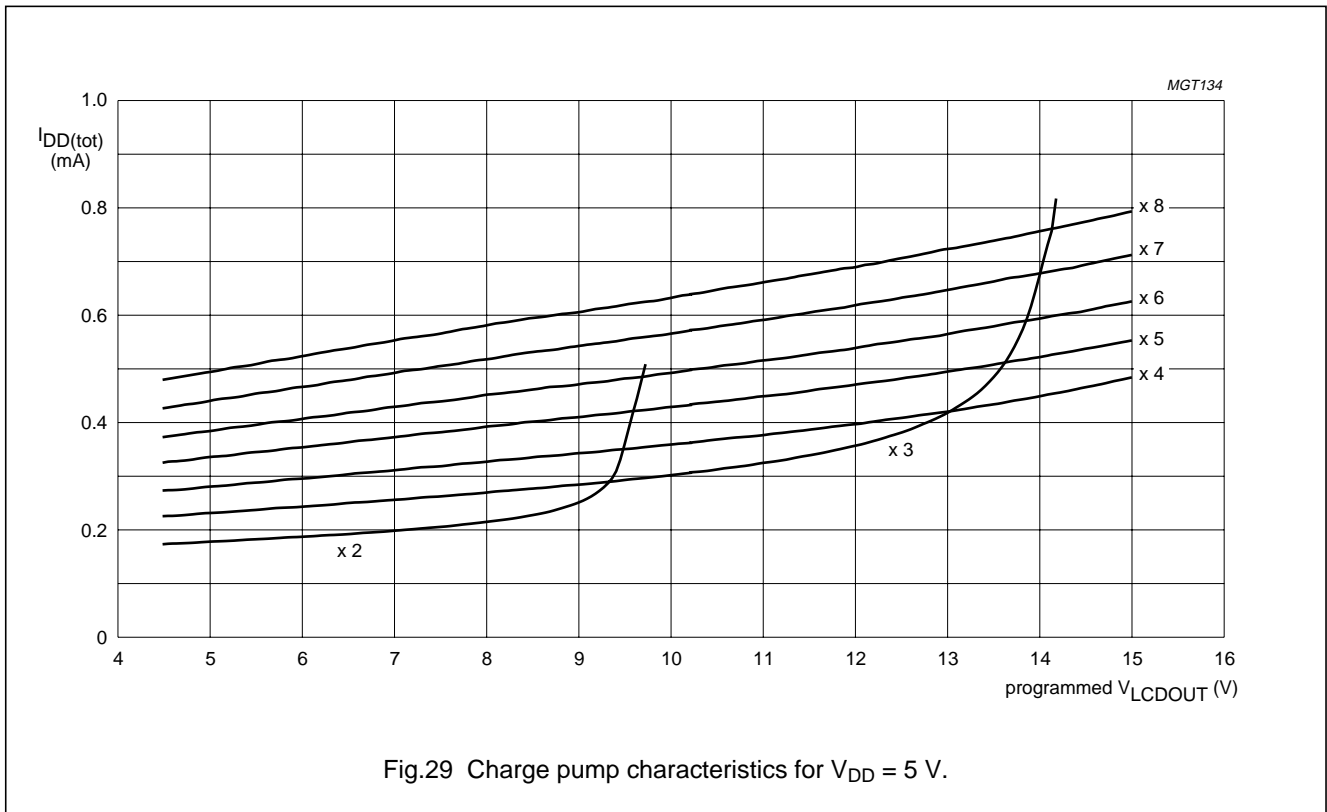
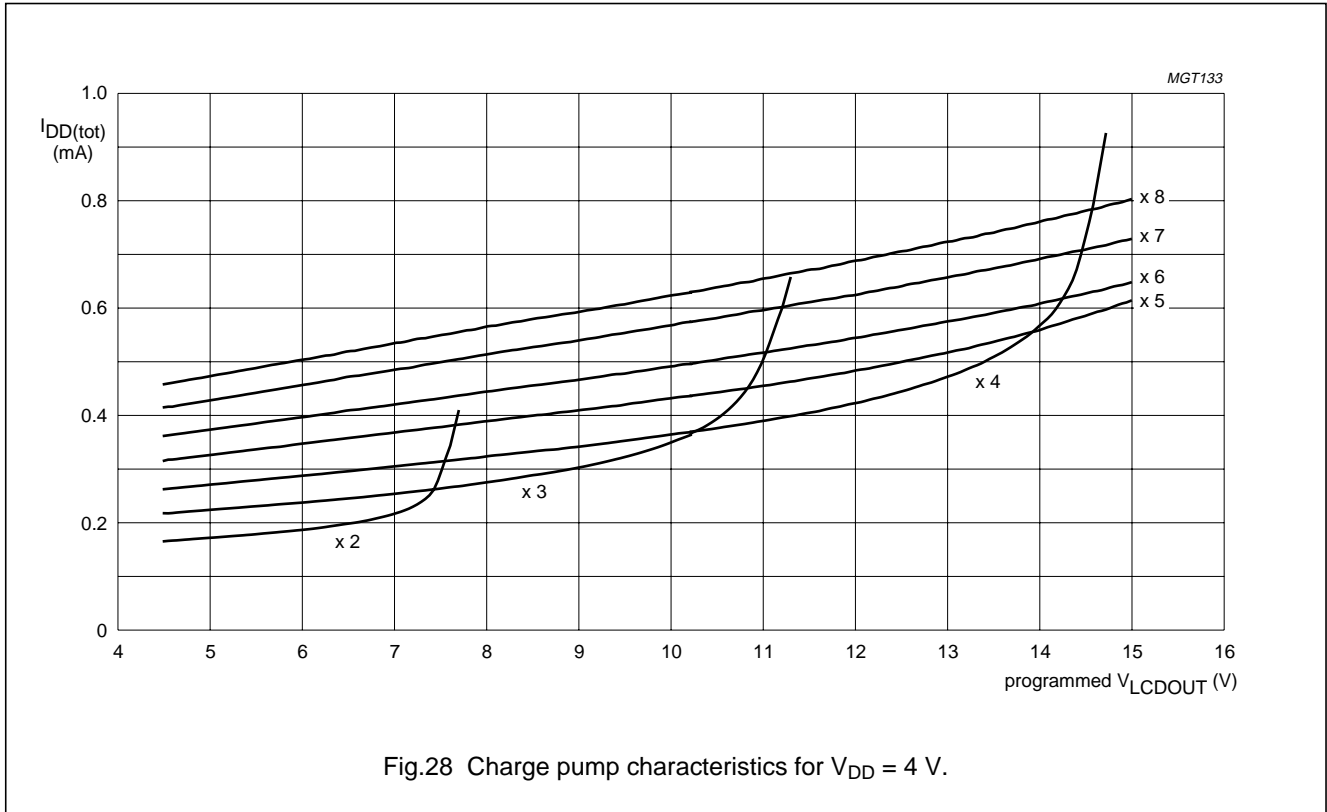


Fig.27 Charge pump characteristics for $V_{DD} = 3$ V.

67 × 101 Grey-scale/ECB colour dot matrix
LCD driver

PCF8820



67 × 101 Grey-scale/ECB colour dot matrix LCD driver

PCF8820

13.4 Application for COG

The PCF8820 physical pad positions are optimized for single plane wiring e.g. for Chip-On-Glass (COG) display modules (see Fig.30). The pad lines are as follows:

- 3 input/output lines: SDA, SCL and $\overline{\text{RES}}$
- 101 column driver lines
- 33 and 34 row driver lines
- pads SA0, SA1 and OSC can be tied in the application to appropriate levels.

For COG applications, it is recommended that the Indium Tin Oxide (ITO) track resistance is minimized for the I/O and power supply connections. These connections should have an optimum track resistance of $<50 \Omega$ for the power supply connections and $<100 \Omega$ for the I/O connections. Increasing the track resistance reduces the performance and increases the current consumption.

The common supply resistor values especially, have to be minimized ($<5 \Omega$ for high supply voltage V_{P1} , V_{LCD} and GND).

The minimum value required for the external capacitors is:

- $C_{ext1} > 470 \text{ nF}$ ($C_{ext1} > C_{ext2}$ recommended)
- $C_{ext2} > 100 \text{ nF}$ (470 nF to 1 μF recommended).

A higher value of the capacitors is recommended to reduce the ripple voltage.

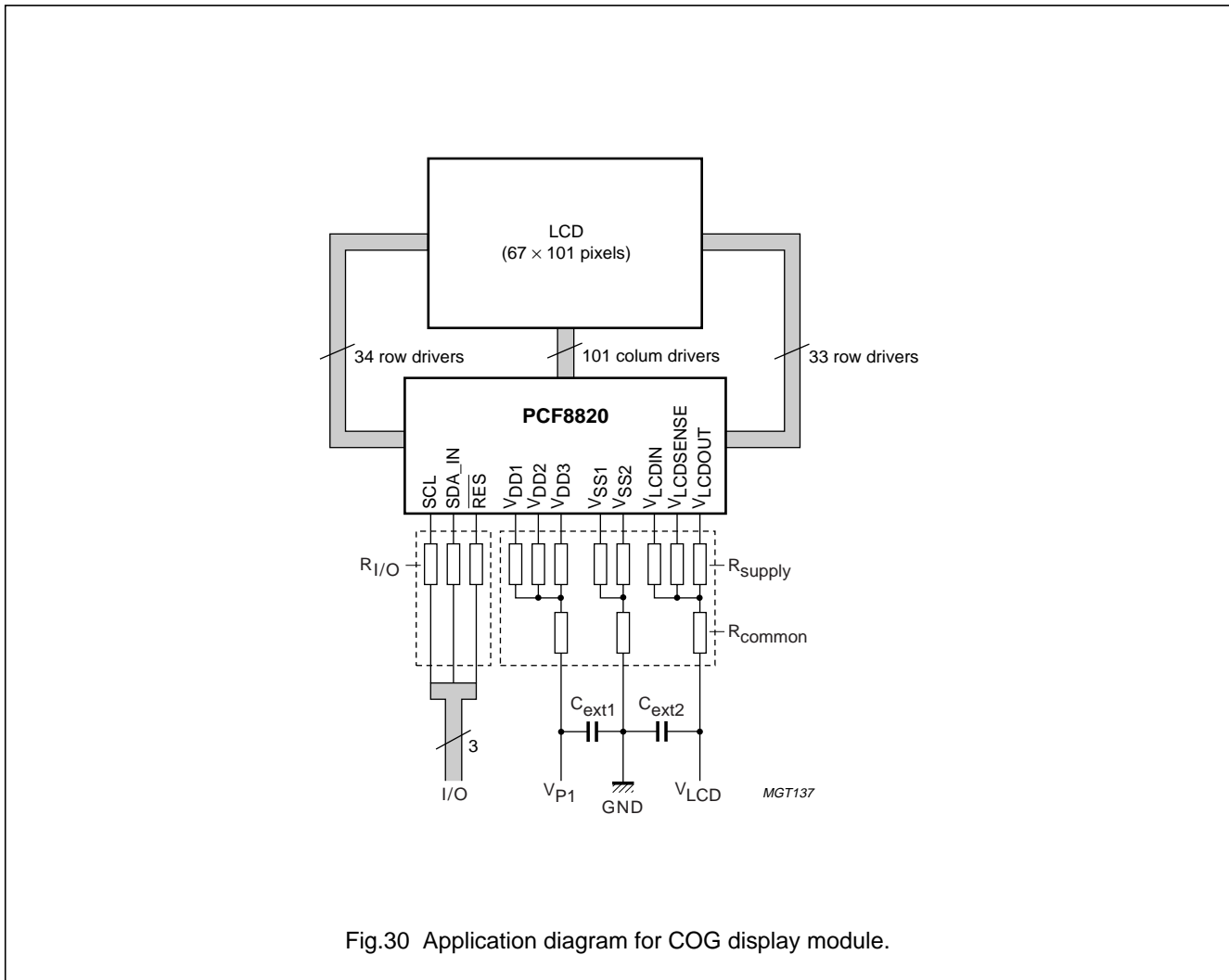


Fig.30 Application diagram for COG display module.

67 × 101 Grey-scale/ECB colour dot matrix LCD driver

PCF8820

13.5 Typical system configuration

The PCF8820 is a low power LCD driver designed to interface with microcontrollers and a wide variety of LCDs.

The host microcontroller and the PCF8820 are both connected to the I²C-bus. The SDA and SCL lines must be connected to the positive power supply via pull-up resistors.

The internal oscillator requires no external components.

The appropriate intermediate biasing voltage for the multiplexed LCD waveforms are generated on-chip.

The only other connections required to complete the system are the power supplies (V_{DD1}, V_{DD2} and V_{DD3}) and ground supplies (V_{SS1} and V_{SS2}), LCD supply (V_{LCDIN}) and system reset (RES), including suitable capacitors for decoupling.

13.6 External supply of V_{LCDIN}

If an external LCD supply voltage is used, it must be connected to pad V_{LCDIN}. If pads V_{LCDOUT}, V_{LCDSENSE} and V_{LCDIN} are connected together, the impedance of pad V_{LCDOUT} should be set high-impedance by setting the status of bits shown in Table 8. To obtain the highest resistance and the lowest current into pad V_{LCDSENSE}, it is recommended to set the V_{LCD} programming range to HIGH (bit PRS = 1) and the V_{LCD} control register value to 127 (maximum value) with bits V_{OP6} to V_{OP0}.

It should be noted that V_{LCDIN} is not allowed to be lower than V_{DD1}.

An external V_{LCD} must be applied after applying V_{DD1}, and it must be turned off before (or when) V_{DD1} is turned off (see Fig.25). It is recommended that the external V_{LCD} is applied after leaving the reset state. The external V_{LCD} can stay turned on in Power-down mode.

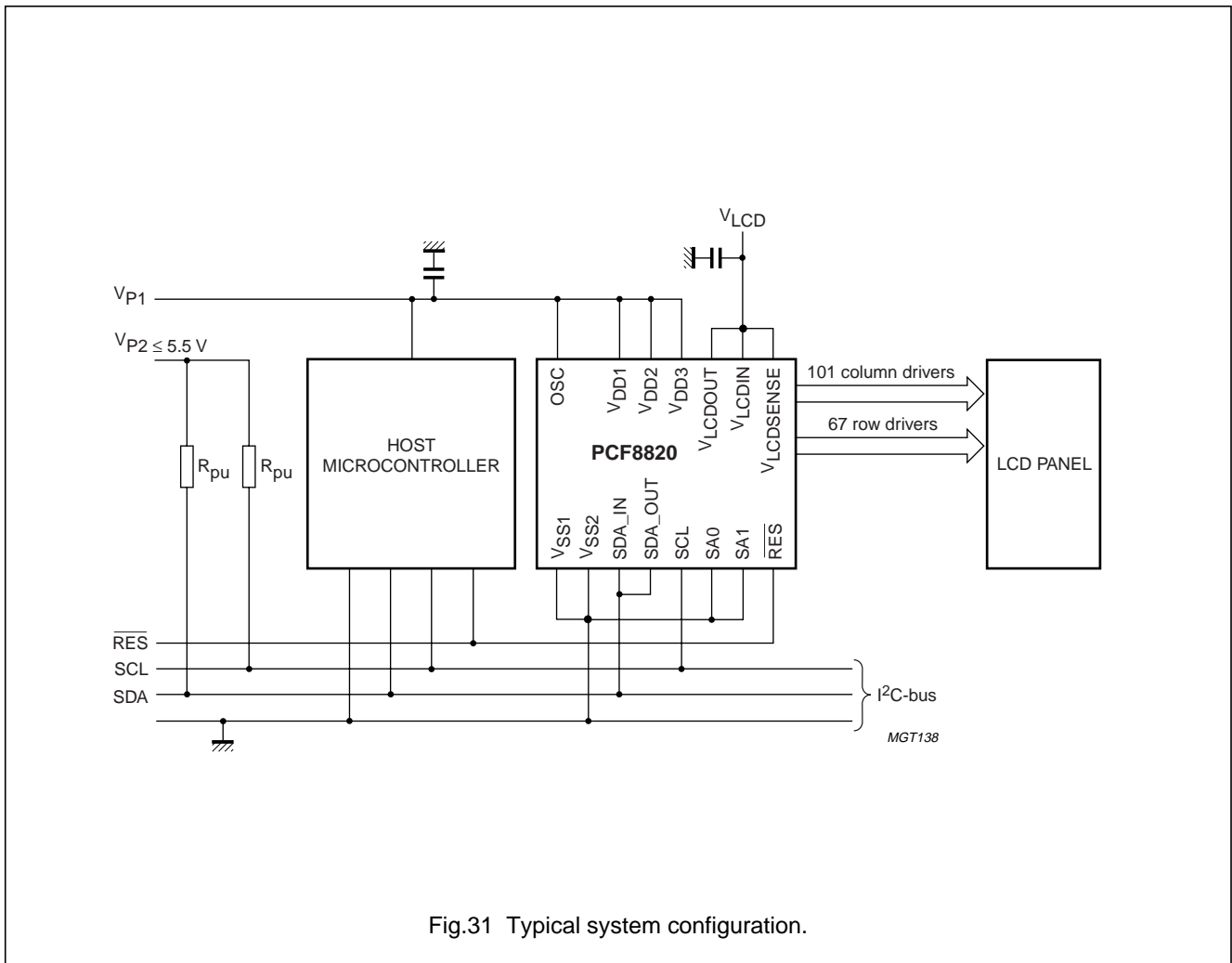


Fig.31 Typical system configuration.

67 × 101 Grey-scale/ECB colour dot matrix LCD driver

PCF8820

14 BONDING PAD INFORMATION

| SYMBOL | PAD | COORDINATES ⁽¹⁾ | |
|--------|-----|----------------------------|---------|
| | | x | y |
| dummy | 1 | -5443.7 | -1162.5 |
| dummy | 2 | -5373.7 | -1162.5 |
| row 0 | 3 | -5233.7 | -1162.5 |
| row 1 | 4 | -5163.7 | -1162.5 |
| row 2 | 5 | -5093.7 | -1162.5 |
| row 3 | 6 | -5023.7 | -1162.5 |
| row 4 | 7 | -4953.7 | -1162.5 |
| row 5 | 8 | -4883.7 | -1162.5 |
| row 6 | 9 | -4813.7 | -1162.5 |
| row 7 | 10 | -4743.7 | -1162.5 |
| row 8 | 11 | -4673.7 | -1162.5 |
| row 9 | 12 | -4603.7 | -1162.5 |
| row 10 | 13 | -4533.7 | -1162.5 |
| row 11 | 14 | -4463.7 | -1162.5 |
| row 12 | 15 | -4393.7 | -1162.5 |
| row 13 | 16 | -4323.7 | -1162.5 |
| row 14 | 17 | -4253.7 | -1162.5 |
| row 15 | 18 | -4183.7 | -1162.5 |
| row 16 | 19 | -4113.7 | -1162.5 |
| row 17 | 20 | -4043.7 | -1162.5 |
| row 18 | 21 | -3973.7 | -1162.5 |
| row 19 | 22 | -3903.7 | -1162.5 |
| row 20 | 23 | -3833.7 | -1162.5 |
| row 21 | 24 | -3763.7 | -1162.5 |
| row 22 | 25 | -3693.7 | -1162.5 |
| col 0 | 26 | -3483.7 | -1162.5 |
| col 1 | 27 | -3413.7 | -1162.5 |
| col 2 | 28 | -3343.7 | -1162.5 |
| col 3 | 29 | -3273.7 | -1162.5 |
| col 4 | 30 | -3203.7 | -1162.5 |
| col 5 | 31 | -3133.7 | -1162.5 |
| col 6 | 32 | -3063.7 | -1162.5 |
| col 7 | 33 | -2993.7 | -1162.5 |
| col 8 | 34 | -2923.7 | -1162.5 |
| col 9 | 35 | -2853.7 | -1162.5 |
| col 10 | 36 | -2783.7 | -1162.5 |
| col 11 | 37 | -2713.7 | -1162.5 |
| col 12 | 38 | -2643.7 | -1162.5 |

| SYMBOL | PAD | COORDINATES ⁽¹⁾ | |
|--------|-----|----------------------------|---------|
| | | x | y |
| col 13 | 39 | -2573.7 | -1162.5 |
| col 14 | 40 | -2503.7 | -1162.5 |
| col 15 | 41 | -2433.7 | -1162.5 |
| col 16 | 42 | -2363.7 | -1162.5 |
| col 17 | 43 | -2293.7 | -1162.5 |
| col 18 | 44 | -2223.7 | -1162.5 |
| col 19 | 45 | -2153.7 | -1162.5 |
| col 20 | 46 | -2083.7 | -1162.5 |
| col 21 | 47 | -2013.7 | -1162.5 |
| col 22 | 48 | -1943.7 | -1162.5 |
| col 23 | 49 | -1873.7 | -1162.5 |
| col 24 | 50 | -1803.7 | -1162.5 |
| col 25 | 51 | -1663.7 | -1162.5 |
| col 26 | 52 | -1593.7 | -1162.5 |
| col 27 | 53 | -1523.7 | -1162.5 |
| col 28 | 54 | -1453.7 | -1162.5 |
| col 29 | 55 | -1383.7 | -1162.5 |
| col 30 | 56 | -1313.7 | -1162.5 |
| col 31 | 57 | -1243.7 | -1162.5 |
| col 32 | 58 | -1173.7 | -1162.5 |
| col 33 | 59 | -1103.7 | -1162.5 |
| col 34 | 60 | -1033.7 | -1162.5 |
| col 35 | 61 | -963.7 | -1162.5 |
| col 36 | 62 | -893.7 | -1162.5 |
| col 37 | 63 | -823.7 | -1162.5 |
| col 38 | 64 | -753.7 | -1162.5 |
| col 39 | 65 | -683.7 | -1162.5 |
| col 40 | 66 | -613.7 | -1162.5 |
| col 41 | 67 | -543.7 | -1162.5 |
| col 42 | 68 | -473.7 | -1162.5 |
| col 43 | 69 | -403.7 | -1162.5 |
| col 44 | 70 | -333.7 | -1162.5 |
| col 45 | 71 | -263.7 | -1162.5 |
| col 46 | 72 | -193.7 | -1162.5 |
| col 47 | 73 | -123.7 | -1162.5 |
| col 48 | 74 | -53.7 | -1162.5 |
| col 49 | 75 | +16.3 | -1162.5 |
| col 50 | 76 | +156.3 | -1162.5 |
| col 51 | 77 | +226.3 | -1162.5 |

67 × 101 Grey-scale/ECB colour dot matrix
LCD driver

PCF8820

| SYMBOL | PAD | COORDINATES ⁽¹⁾ | |
|--------|-----|----------------------------|---------|
| | | x | y |
| col 52 | 78 | +296.3 | -1162.5 |
| col 53 | 79 | +366.3 | -1162.5 |
| col 54 | 80 | +436.3 | -1162.5 |
| col 55 | 81 | +506.3 | -1162.5 |
| col 56 | 82 | +576.3 | -1162.5 |
| col 57 | 83 | +646.3 | -1162.5 |
| col 58 | 84 | +716.3 | -1162.5 |
| col 59 | 85 | +786.3 | -1162.5 |
| col 60 | 86 | +856.3 | -1162.5 |
| col 61 | 87 | +926.3 | -1162.5 |
| col 62 | 88 | +996.3 | -1162.5 |
| col 63 | 89 | +1066.3 | -1162.5 |
| col 64 | 90 | +1136.3 | -1162.5 |
| col 65 | 91 | +1206.3 | -1162.5 |
| col 66 | 92 | +1276.3 | -1162.5 |
| col 67 | 93 | +1346.3 | -1162.5 |
| col 68 | 94 | +1416.3 | -1162.5 |
| col 69 | 95 | +1486.3 | -1162.5 |
| col 70 | 96 | +1556.3 | -1162.5 |
| col 71 | 97 | +1626.3 | -1162.5 |
| col 72 | 98 | +1696.3 | -1162.5 |
| col 73 | 99 | +1766.3 | -1162.5 |
| col 74 | 100 | +1836.3 | -1162.5 |
| col 75 | 101 | +1976.3 | -1162.5 |
| col 76 | 102 | +2046.3 | -1162.5 |
| col 77 | 103 | +2116.3 | -1162.5 |
| col 78 | 104 | +2186.3 | -1162.5 |
| col 79 | 105 | +2256.3 | -1162.5 |
| col 80 | 106 | +2326.3 | -1162.5 |
| col 81 | 107 | +2396.3 | -1162.5 |
| col 82 | 108 | +2466.3 | -1162.5 |
| col 83 | 109 | +2536.3 | -1162.5 |
| col 84 | 110 | +2606.3 | -1162.5 |
| col 85 | 111 | +2676.3 | -1162.5 |
| col 86 | 112 | +2746.3 | -1162.5 |
| col 87 | 113 | +2816.3 | -1162.5 |
| col 88 | 114 | +2886.3 | -1162.5 |
| col 89 | 115 | +2956.3 | -1162.5 |
| col 90 | 116 | +3026.3 | -1162.5 |

| SYMBOL | PAD | COORDINATES ⁽¹⁾ | |
|---------|-----|----------------------------|---------|
| | | x | y |
| col 91 | 117 | +3096.3 | -1162.5 |
| col 92 | 118 | +3166.3 | -1162.5 |
| col 93 | 119 | +3236.3 | -1162.5 |
| col 94 | 120 | +3306.3 | -1162.5 |
| col 95 | 121 | +3376.3 | -1162.5 |
| col 96 | 122 | +3446.3 | -1162.5 |
| col 97 | 123 | +3516.3 | -1162.5 |
| col 98 | 124 | +3586.3 | -1162.5 |
| col 99 | 125 | +3656.3 | -1162.5 |
| col 100 | 126 | +3726.3 | -1162.5 |
| row 55 | 127 | +3866.3 | -1162.5 |
| row 54 | 128 | +3936.3 | -1162.5 |
| row 53 | 129 | +4006.3 | -1162.5 |
| row 52 | 130 | +4076.3 | -1162.5 |
| row 51 | 131 | +4146.3 | -1162.5 |
| row 50 | 132 | +4216.3 | -1162.5 |
| row 49 | 133 | +4286.3 | -1162.5 |
| row 48 | 134 | +4356.3 | -1162.5 |
| row 47 | 135 | +4426.3 | -1162.5 |
| row 46 | 136 | +4496.3 | -1162.5 |
| row 45 | 137 | +4566.3 | -1162.5 |
| row 44 | 138 | +4636.3 | -1162.5 |
| row 43 | 139 | +4706.3 | -1162.5 |
| row 42 | 140 | +4776.3 | -1162.5 |
| row 41 | 141 | +4846.3 | -1162.5 |
| row 40 | 142 | +4916.3 | -1162.5 |
| row 39 | 143 | +4986.3 | -1162.5 |
| row 38 | 144 | +5056.3 | -1162.5 |
| row 37 | 145 | +5126.3 | -1162.5 |
| row 36 | 146 | +5196.3 | -1162.5 |
| row 35 | 147 | +5266.3 | -1162.5 |
| row 34 | 148 | +5336.3 | -1162.5 |
| dummy | 149 | +5476.3 | -1162.5 |
| dummy | 150 | +5581.3 | +1162.5 |
| row 56 | 151 | +5301.3 | +1162.5 |
| row 57 | 152 | +5231.3 | +1162.5 |
| row 58 | 153 | +5161.3 | +1162.5 |
| row 59 | 154 | +5091.3 | +1162.5 |
| row 60 | 155 | +5021.3 | +1162.5 |

67 × 101 Grey-scale/ECB colour dot matrix LCD driver

PCF8820

| SYMBOL | PAD | COORDINATES ⁽¹⁾ | |
|-----------------------|-----|----------------------------|---------|
| | | x | y |
| row 61 | 156 | +4951.3 | +1162.5 |
| row 62 | 157 | +4881.3 | +1162.5 |
| row 63 | 158 | +4811.3 | +1162.5 |
| row 64 | 159 | +4741.3 | +1162.5 |
| row 65 | 160 | +4671.3 | +1162.5 |
| row 66 | 161 | +4601.3 | +1162.5 |
| V ₅ | 162 | +4421 | +1162.5 |
| V ₄ | 163 | +4261 | +1162.5 |
| V ₃ | 164 | +4101 | +1162.5 |
| V ₂ | 165 | +3941 | +1162.5 |
| V _{LCDIN} | 166 | +3806.3 | +1162.5 |
| V _{LCDIN} | 167 | +3726.3 | +1162.5 |
| V _{LCDIN} | 168 | +3646.3 | +1162.5 |
| V _{LCDIN} | 169 | +3566.3 | +1162.5 |
| V _{LCDIN} | 170 | +3486.3 | +1162.5 |
| V _{LCDIN} | 171 | +3406.3 | +1162.5 |
| V _{LCDSENSE} | 172 | +3326.3 | +1162.5 |
| V _{LCDOUT} | 173 | +3246.3 | +1162.5 |
| V _{LCDOUT} | 174 | +3166.3 | +1162.5 |
| V _{LCDOUT} | 175 | +3086.3 | +1162.5 |
| V _{LCDOUT} | 176 | +3006.3 | +1162.5 |
| V _{LCDOUT} | 177 | +2926.3 | +1162.5 |
| V _{LCDOUT} | 178 | +2846.3 | +1162.5 |
| V _{DD1} | 179 | +2451.3 | +1162.5 |
| V _{DD1} | 180 | +2371.3 | +1162.5 |
| V _{DD1} | 181 | +2291.3 | +1162.5 |
| V _{DD1} | 182 | +2211.3 | +1162.5 |
| V _{DD1} | 183 | +2131.3 | +1162.5 |
| V _{DD1} | 184 | +2051.3 | +1162.5 |
| V _{DD3} | 185 | +1921.3 | +1162.5 |
| V _{DD3} | 186 | +1841.3 | +1162.5 |
| V _{DD3} | 187 | +1761.3 | +1162.5 |
| V _{DD2} | 188 | +1681.3 | +1162.5 |
| V _{DD2} | 189 | +1601.3 | +1162.5 |
| V _{DD2} | 190 | +1521.3 | +1162.5 |
| V _{DD2} | 191 | +1441.3 | +1162.5 |
| V _{DD2} | 192 | +1361.3 | +1162.5 |
| V _{DD2} | 193 | +1281.3 | +1162.5 |
| V _{DD2} | 194 | +1201.3 | +1162.5 |

| SYMBOL | PAD | COORDINATES ⁽¹⁾ | |
|------------------|-----|----------------------------|---------|
| | | x | y |
| SDA_IN | 195 | +573.3 | +1162.5 |
| SDA_IN | 196 | +493.3 | +1162.5 |
| SDA_OUT | 197 | +65.9 | +1162.5 |
| V _{SS2} | 198 | -233.7 | +1162.5 |
| V _{SS2} | 199 | -313.7 | +1162.5 |
| V _{SS2} | 200 | -393.7 | +1162.5 |
| V _{SS2} | 201 | -473.7 | +1162.5 |
| V _{SS2} | 202 | -553.7 | +1162.5 |
| V _{SS2} | 203 | -633.7 | +1162.5 |
| SA0 | 204 | -833.7 | +1162.5 |
| T1 | 205 | -1033.7 | +1162.5 |
| V _{SS1} | 206 | -1113.7 | +1162.5 |
| V _{SS1} | 207 | -1193.7 | +1162.5 |
| V _{SS1} | 208 | -1273.7 | +1162.5 |
| V _{SS1} | 209 | -1353.7 | +1162.5 |
| V _{SS1} | 210 | -1433.7 | +1162.5 |
| V _{SS1} | 211 | -1513.7 | +1162.5 |
| T3 | 212 | -1713.7 | +1162.5 |
| T4 | 213 | -1913.7 | +1162.5 |
| SA1 | 214 | -2113.7 | +1162.5 |
| SCL | 215 | -2355 | +1162.5 |
| SCL | 216 | -2435 | +1162.5 |
| T5 | 217 | -2958 | +1162.5 |
| T6 | 218 | -3158.7 | +1162.5 |
| RES | 219 | -3454.7 | +1162.5 |
| OSC | 220 | -4158.7 | +1162.5 |
| T2 | 221 | -4282.7 | +1162.5 |
| row 33 | 222 | -4498.7 | +1162.5 |
| row 32 | 223 | -4568.7 | +1162.5 |
| row 31 | 224 | -4638.7 | +1162.5 |
| row 30 | 225 | -4708.7 | +1162.5 |
| row 29 | 226 | -4778.7 | +1162.5 |
| row 28 | 227 | -4848.7 | +1162.5 |
| row 27 | 228 | -4918.7 | +1162.5 |
| row 26 | 229 | -4988.7 | +1162.5 |
| row 25 | 230 | -5058.7 | +1162.5 |
| row 24 | 231 | -5128.7 | +1162.5 |
| row 23 | 232 | -5198.7 | +1162.5 |
| dummy | 233 | -5478.7 | +1162.5 |

67 × 101 Grey-scale/ECB colour dot matrix LCD driver

PCF8820

| SYMBOL | PAD | COORDINATES ⁽¹⁾ | |
|------------------------|-----|----------------------------|---------|
| | | x | y |
| dummy | 234 | -5548.7 | +1162.5 |
| dummy | 235 | -5618.7 | +1162.5 |
| Alignment marks | | | |
| Circle 1 | | -5594.0 | -1162.5 |
| Circle 2 | | +5594.0 | -1162.5 |
| Circle 3 | | +5469.0 | +1162.5 |
| Circle 4 | | -5369.0 | +1162.5 |

Note

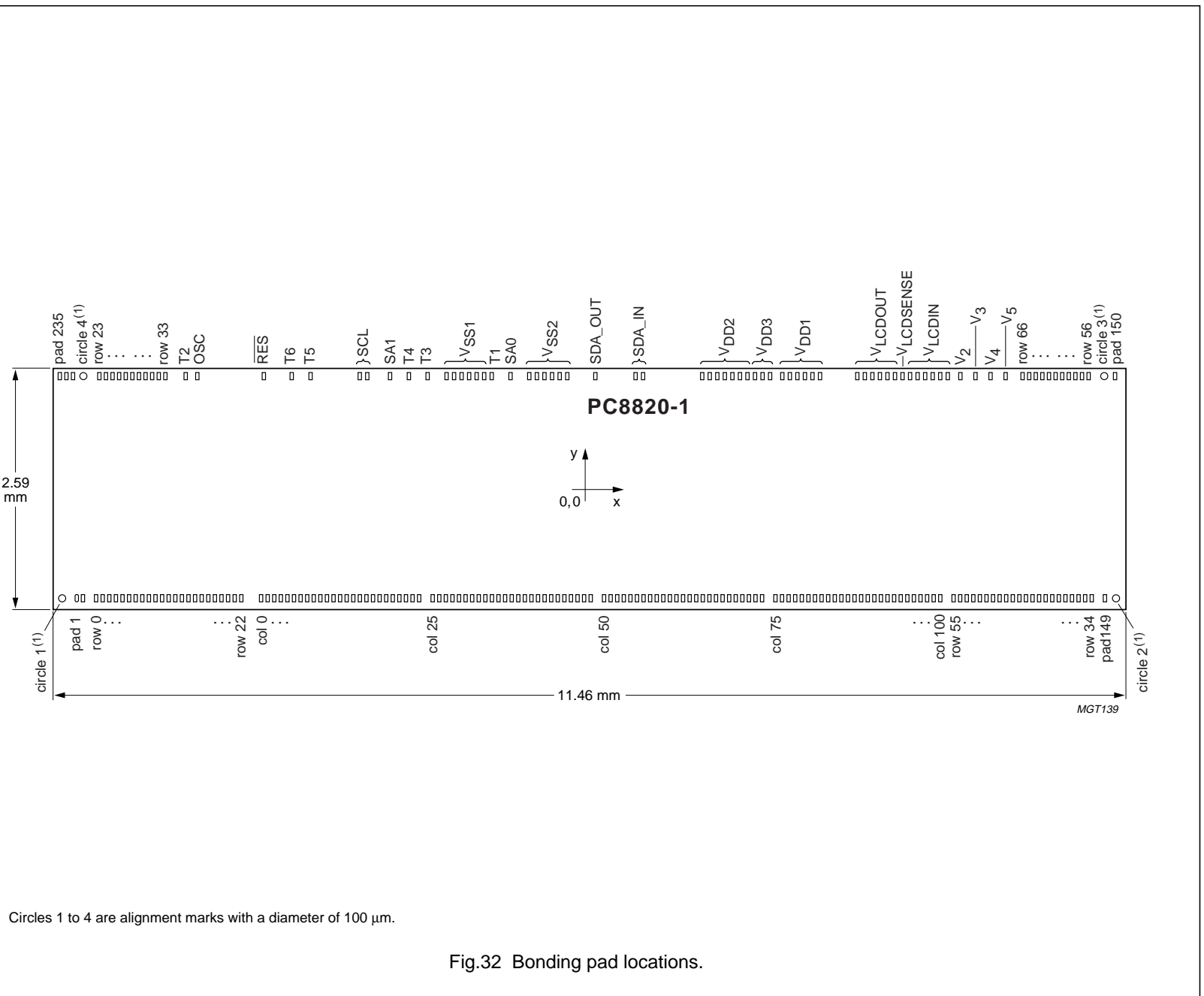
1. All x/y coordinates represent the position of the centre of each pad (in μm) with respect to the centre (x/y = 0) of the chip (see Fig.32).

Table 11 Bonding pad dimensions

| NAME | DIMENSION |
|--------------------------------------|----------------------------------|
| Pad pitch | 70 μm (minimum value) |
| Pad size, aluminium | 62 × 100 μm |
| Passivation opening at pad | 36 × 76 μm |
| Bump dimensions | 52 × 90 × 17.5 μm |
| Wafer thickness (excluding bumps) | 381 μm |

67 × 101 Grey-scale/ECB colour dot matrix LCD driver

PCF8820



(1) Circles 1 to 4 are alignment marks with a diameter of 100 µm.

Fig.32 Bonding pad locations.

67 × 101 Grey-scale/ECB colour dot matrix
LCD driver

PCF8820

15 DEVICE PROTECTION CIRCUITS

| SYMBOL | PAD | REMARK | INTERNAL CIRCUIT |
|-----------------------|------------|--------|------------------|
| V _{DD1} | 179 to 184 | note 1 | <p>MGU179</p> |
| V _{DD2} | 188 to 194 | note 1 | <p>MGU180</p> |
| V _{DD3} | 185 to 187 | note 1 | <p>MGU179</p> |
| V _{SS1} | 206 to 211 | note 1 | <p>MGU181</p> |
| V _{SS2} | 198 to 203 | note 1 | |
| V _{LCDIN} | 166 to 171 | note 1 | <p>MGU179</p> |
| V _{LCDSENSE} | 172 | | |
| V _{LCDOUT} | 173 to 178 | note 1 | |
| V ₂ | 162 | | <p>MGU182</p> |
| V ₃ | 163 | | |
| V ₄ | 164 | | |
| V ₅ | 165 | | |

67 × 101 Grey-scale/ECB colour dot matrix
LCD driver

PCF8820

| SYMBOL | PAD | REMARK | INTERNAL CIRCUIT |
|-----------------------|-------------|--------|---|
| SA0 | 204 | | <p style="text-align: right;"><i>MGU183</i></p> |
| SA1 | 214 | | |
| T1 | 205 | | |
| T2 | 221 | | |
| T3 | 212 | | |
| T4 | 213 | | |
| T5 | 217 | | |
| T6 | 218 | | |
| OSC | 220 | | |
| RES | 219 | | |
| SCL | 215 and 216 | note 1 | <p style="text-align: right;"><i>MGU179</i></p> |
| SDA_IN | 195 and 196 | note 1 | |
| SDA_OUT | 197 | | |
| R0 to R22 (block 1) | 3 to 25 | | <p style="text-align: right;"><i>MGU184</i></p> |
| R23 to R33 (block 2) | 232 to 222 | | |
| R34 to R55 (block 3) | 148 to 127 | | |
| R56 to R66 (block 4) | 151 to 161 | | |
| C0 to C24 (block 5) | 26 to 50 | | |
| C25 to C49 (block 6) | 51 to 75 | | |
| C50 to C74 (block 7) | 76 to 100 | | |
| C75 to C100 (block 8) | 101 to 126 | | |

Note

1. Internally shorted via metal.

67 × 101 Grey-scale/ECB colour dot matrix
LCD driver

PCF8820

16 TRAY INFORMATION

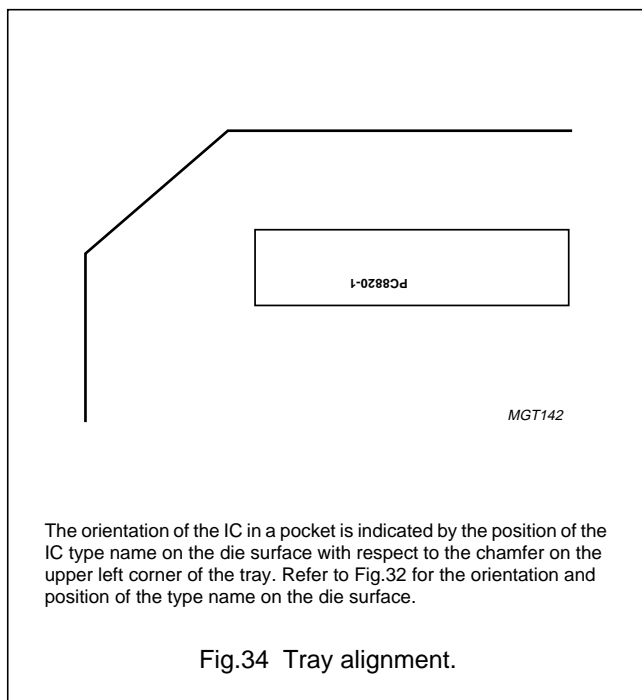
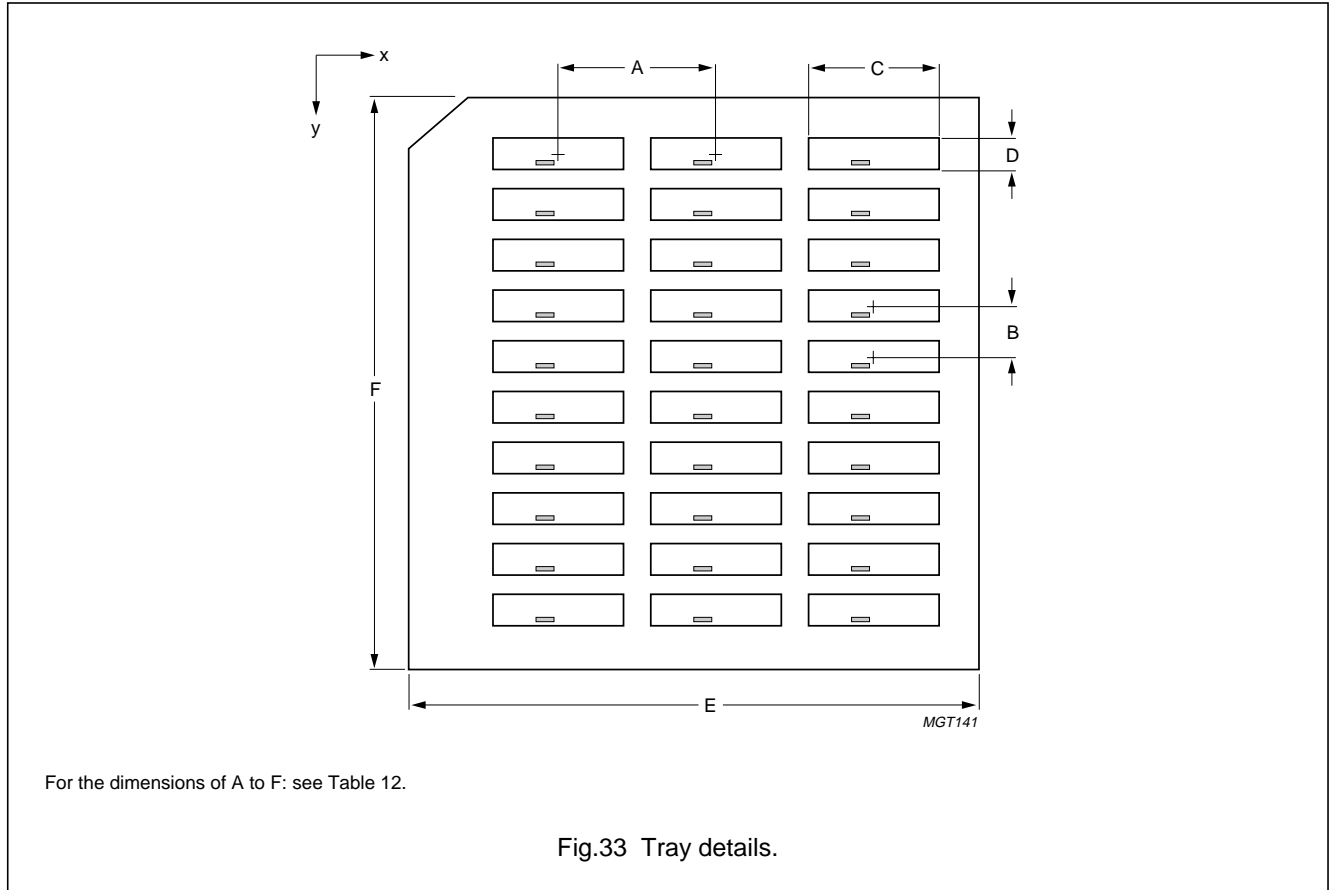


Table 12 Tray dimensions

| DIMENSION | DESCRIPTION | VALUE |
|-----------|-----------------------------|----------|
| A | pocket pitch in x direction | 13.77 mm |
| B | pocket pitch in y direction | 4.45 mm |
| C | pocket width in x direction | 11.61 mm |
| D | pocket width in y direction | 2.75 mm |
| E | tray width in x direction | 50.8 mm |
| F | tray width in y direction | 50.8 mm |
| - | no. pockets in x direction | 3 |
| - | no. pockets in y direction | 10 |

67 × 101 Grey-scale/ECB colour dot matrix LCD driver

PCF8820

17 DATA SHEET STATUS

| DATA SHEET STATUS | PRODUCT STATUS | DEFINITIONS ⁽¹⁾ |
|---------------------------|----------------|--|
| Objective specification | Development | This data sheet contains the design target or goal specifications for product development. Specification may change in any manner without notice. |
| Preliminary specification | Qualification | This data sheet contains preliminary data, and supplementary data will be published at a later date. Philips Semiconductors reserves the right to make changes at any time without notice in order to improve design and supply the best possible product. |
| Product specification | Production | This data sheet contains final specifications. Philips Semiconductors reserves the right to make changes at any time without notice in order to improve design and supply the best possible product. |

Note

1. Please consult the most recently issued data sheet before initiating or completing a design.

18 DEFINITIONS

Short-form specification — The data in a short-form specification is extracted from a full data sheet with the same type number and title. For detailed information see the relevant data sheet or data handbook.

Limiting values definition — Limiting values given are in accordance with the Absolute Maximum Rating System (IEC 60134). Stress above one or more of the limiting values may cause permanent damage to the device. These are stress ratings only and operation of the device at these or at any other conditions above those given in the Characteristics sections of the specification is not implied. Exposure to limiting values for extended periods may affect device reliability.

Application information — Applications that are described herein for any of these products are for illustrative purposes only. Philips Semiconductors make no representation or warranty that such applications will be suitable for the specified use without further testing or modification.

19 DISCLAIMERS

Life support applications — These products are not designed for use in life support appliances, devices, or systems where malfunction of these products can reasonably be expected to result in personal injury. Philips Semiconductors customers using or selling these products for use in such applications do so at their own risk and agree to fully indemnify Philips Semiconductors for any damages resulting from such application.

Right to make changes — Philips Semiconductors reserves the right to make changes, without notice, in the products, including circuits, standard cells, and/or software, described or contained herein in order to improve design and/or performance. Philips Semiconductors assumes no responsibility or liability for the use of any of these products, conveys no licence or title under any patent, copyright, or mask work right to these products, and makes no representations or warranties that these products are free from patent, copyright, or mask work right infringement, unless otherwise specified.

20 BARE DIE DISCLAIMER

All die are tested and are guaranteed to comply with all data sheet limits up to the point of wafer sawing for a period of ninety (90) days from the date of Philips' delivery. If there are data sheet limits not guaranteed, these will be separately indicated in the data sheet. There are no post packing tests performed on individual die or wafer. Philips Semiconductors has no control of third party procedures in the sawing, handling, packing or assembly of the die. Accordingly, Philips Semiconductors assumes no liability for device functionality or performance of the die or systems after third party sawing, handling, packing or assembly of the die. It is the responsibility of the customer to test and qualify their application in which the die is used.

67 × 101 Grey-scale/ECB colour dot matrix
LCD driver

PCF8820

21 PURCHASE OF PHILIPS I²C COMPONENTS



Purchase of Philips I²C components conveys a license under the Philips' I²C patent to use the components in the I²C system provided the system conforms to the I²C specification defined by Philips. This specification can be ordered using the code 9398 393 40011.

67 × 101 Grey-scale/ECB colour dot matrix
LCD driver

PCF8820

NOTES

Philips Semiconductors – a worldwide company

Argentina: see South America

Australia: 3 Figtree Drive, HOMEBUSH, NSW 2140,
Tel. +61 2 9704 8141, Fax. +61 2 9704 8139

Austria: Computerstr. 6, A-1101 WIEN, P.O. Box 213,
Tel. +43 1 60 101 1248, Fax. +43 1 60 101 1210

Belarus: Hotel Minsk Business Center, Bld. 3, r. 1211, Volodarski Str. 6,
220050 MINSK, Tel. +375 172 20 0733, Fax. +375 172 20 0773

Belgium: see The Netherlands

Brazil: see South America

Bulgaria: Philips Bulgaria Ltd., Energoproject, 15th floor,
51 James Bourchier Blvd., 1407 SOFIA,
Tel. +359 2 68 9211, Fax. +359 2 68 9102

Canada: PHILIPS SEMICONDUCTORS/COMPONENTS,
Tel. +1 800 234 7381, Fax. +1 800 943 0087

China/Hong Kong: 501 Hong Kong Industrial Technology Centre,
72 Tat Chee Avenue, Kowloon Tong, HONG KONG,
Tel. +852 2319 7888, Fax. +852 2319 7700

Colombia: see South America

Czech Republic: see Austria

Denmark: Sydhavnsgade 23, 1780 COPENHAGEN V,
Tel. +45 33 29 3333, Fax. +45 33 29 3905

Finland: Sinikalliontie 3, FIN-02630 ESPOO,
Tel. +358 9 615 800, Fax. +358 9 6158 0920

France: 51 Rue Carnot, BP317, 92156 SURESNES Cedex,
Tel. +33 1 4099 6161, Fax. +33 1 4099 6427

Germany: Hammerbrookstraße 69, D-20097 HAMBURG,
Tel. +49 40 2353 60, Fax. +49 40 2353 6300

Hungary: see Austria

India: Philips INDIA Ltd, Band Box Building, 2nd floor,
254-D, Dr. Annie Besant Road, Worli, MUMBAI 400 025,
Tel. +91 22 493 8541, Fax. +91 22 493 0966

Indonesia: PT Philips Development Corporation, Semiconductors Division,
Gedung Philips, Jl. Buncit Raya Kav.99-100, JAKARTA 12510,
Tel. +62 21 794 0040 ext. 2501, Fax. +62 21 794 0080

Ireland: Newstead, Clonskeagh, DUBLIN 14,
Tel. +353 1 7640 000, Fax. +353 1 7640 200

Israel: RAPAC Electronics, 7 Kehilat Saloniki St, PO Box 18053,
TEL AVIV 61180, Tel. +972 3 645 0444, Fax. +972 3 649 1007

Italy: PHILIPS SEMICONDUCTORS, Via Casati, 23 - 20052 MONZA (MI),
Tel. +39 039 203 6838, Fax +39 039 203 6800

Japan: Philips Bldg 13-37, Kohnan 2-chome, Minato-ku,
TOKYO 108-8507, Tel. +81 3 3740 5130, Fax. +81 3 3740 5057

Korea: Philips House, 260-199 Itaewon-dong, Yongsan-ku, SEOUL,
Tel. +82 2 709 1412, Fax. +82 2 709 1415

Malaysia: No. 76 Jalan Universiti, 46200 PETALING JAYA, SELANGOR,
Tel. +60 3 750 5214, Fax. +60 3 757 4880

Mexico: 5900 Gateway East, Suite 200, EL PASO, TEXAS 79905,
Tel. +9-5 800 234 7381, Fax +9-5 800 943 0087

Middle East: see Italy

Netherlands: Postbus 90050, 5600 PB EINDHOVEN, Bldg. VB,
Tel. +31 40 27 82785, Fax. +31 40 27 88399

New Zealand: 2 Wagener Place, C.P.O. Box 1041, AUCKLAND,
Tel. +64 9 849 4160, Fax. +64 9 849 7811

Norway: Box 1, Manglerud 0612, OSLO,
Tel. +47 22 74 8000, Fax. +47 22 74 8341

Pakistan: see Singapore

Philippines: Philips Semiconductors Philippines Inc.,
106 Valero St. Salcedo Village, P.O. Box 2108 MCC, MAKATI,
Metro MANILA, Tel. +63 2 816 6380, Fax. +63 2 817 3474

Poland: Al.Jerozolimskie 195 B, 02-222 WARSAW,
Tel. +48 22 5710 000, Fax. +48 22 5710 001

Portugal: see Spain

Romania: see Italy

Russia: Philips Russia, Ul. Usatcheva 35A, 119048 MOSCOW,
Tel. +7 095 755 6918, Fax. +7 095 755 6919

Singapore: Lorong 1, Toa Payoh, SINGAPORE 319762,
Tel. +65 350 2538, Fax. +65 251 6500

Slovakia: see Austria

Slovenia: see Italy

South Africa: S.A. PHILIPS Pty Ltd., 195-215 Main Road Martindale,
2092 JOHANNESBURG, P.O. Box 58088 Newville 2114,
Tel. +27 11 471 5401, Fax. +27 11 471 5398

South America: Al. Vicente Pinzon, 173, 6th floor,
04547-130 SÃO PAULO, SP, Brazil,
Tel. +55 11 821 2333, Fax. +55 11 821 2382

Spain: Balmes 22, 08007 BARCELONA,
Tel. +34 93 301 6312, Fax. +34 93 301 4107

Sweden: Kottbygatan 7, Akalla, S-16485 STOCKHOLM,
Tel. +46 8 5985 2000, Fax. +46 8 5985 2745

Switzerland: Allmendstrasse 140, CH-8027 ZÜRICH,
Tel. +41 1 488 2741 Fax. +41 1 488 3263

Taiwan: Philips Semiconductors, 5F, No. 96, Chien Kuo N. Rd., Sec. 1,
TAIPEI, Taiwan Tel. +886 2 2134 2451, Fax. +886 2 2134 2874

Thailand: PHILIPS ELECTRONICS (THAILAND) Ltd.,
60/14 MOO 11, Bangna Trad Road KM. 3, Bagna, BANGKOK 10260,
Tel. +66 2 361 7910, Fax. +66 2 398 3447

Turkey: Yukari Dudullu, Org. San. Blg., 2.Cad. Nr. 28 81260 Umraniye,
ISTANBUL, Tel. +90 216 522 1500, Fax. +90 216 522 1813

Ukraine: PHILIPS UKRAINE, 4 Patrice Lumumba str., Building B, Floor 7,
252042 KIEV, Tel. +380 44 264 2776, Fax. +380 44 268 0461

United Kingdom: Philips Semiconductors Ltd., 276 Bath Road, Hayes,
MIDDLESEX UB3 5BX, Tel. +44 208 730 5000, Fax. +44 208 754 8421

United States: 811 East Arques Avenue, SUNNYVALE, CA 94088-3409,
Tel. +1 800 234 7381, Fax. +1 800 943 0087

Uruguay: see South America

Vietnam: see Singapore

Yugoslavia: PHILIPS, Trg N. Pasica 5/v, 11000 BEOGRAD,
Tel. +381 11 3341 299, Fax.+381 11 3342 553

For all other countries apply to: Philips Semiconductors,
Marketing Communications, Building BE-p, P.O. Box 218, 5600 MD EINDHOVEN,
The Netherlands, Fax. +31 40 27 24825

Internet: <http://www.semiconductors.philips.com>

© Philips Electronics N.V. 2000

SCA 70

All rights are reserved. Reproduction in whole or in part is prohibited without the prior written consent of the copyright owner.

The information presented in this document does not form part of any quotation or contract, is believed to be accurate and reliable and may be changed without notice. No liability will be accepted by the publisher for any consequence of its use. Publication thereof does not convey nor imply any license under patent- or other industrial or intellectual property rights.

Printed in The Netherlands

403512/01/pp60

Date of release: 2000 Dec 07

Document order number: 9397 750 06586

Let's make things better.

Philips
Semiconductors



PHILIPS